

TIMKEN

Where You Turn

Edition 10

Effective Date: April 2010

Supersedes Edition 9

TIMKEN

Where You Turn

- Bearings
- Steel
- Precision Components
- Lubrication
- Seals
- Technical Support & Training
- Industrial Services

www.timken.com

Australian Timken Pty Ltd

Customer Service Centre

Tel 1800 060 345

Fax 1800 636 215

email aussales@timken.com

Timken® is a registered trademark
of The Timken Company

© 2009 Australian Timken Pty Ltd

ACN 004 379 444

Printed in Australia.

A2010/1

Automotive Wheel Bearing Kits

- Passenger Cars
- Light Commercial Vehicles
- 4x4s / SUVs
- Popular Trailer Axles



The easiest way to buy trailer bearings yet invented.

Just ask the bearing experts.

Timken Boat and Standard Trailer Bearings

Timken's new range of Light Trailer Kits - designed to suit most trailer types including caravans, 6X4 box trailers, horse floats, boat trailers, car carriers, jet ski and motorcycle trailers - is the easy and simple way to keep your trailer on the road. The kits come complete with DIY step-by-step illustrated instructions to make the removal and installation of new trailer bearings as simple as possible.



BOAT TRAILER SEAL AND WHEEL BEARINGS

For further enquiries, please contact your **Authorised Timken Distributor.**

Why guess which grease is best for your bearing?

Just ask the bearing experts.

Timken Automotive Wheel Bearing Grease

Finally – there's no need to guess which grease is appropriate for your disc and drum bearing applications. Timken automotive wheel bearing grease is a premium, hi-temp, red grease specifically formulated to handle the rigors of both.

Suitable for disc, drum and boat trailer.

Features/Benefits:

- NLGI GC-LB certified
- NLGI No.2 lithium complex
- 55 Timken OK load
- Anti-wear additives
- Corrosion inhibitors
- Water-resistant additives
- Re-usable, high-impact container
- Screw-top lid
- Wide operating temperature range -40°F to 300°F (-40°C to 149°C)



Available in:

Part#	Description	Case Qty
GR224TUB	425-gram tub	6

For further enquiries, please contact your **Authorised Timken Distributor.**



INTRODUCTION

HOW TO USE THIS CATALOGUE

Where a replacement bearing is required on a car, light commercial or 4WD, determine the make and model of the vehicle, then use the contents index opposite to find the page location. Turn to that page and find the model, year of the vehicle, engine type, and bearing position to determine which kit is applicable.

Every possible effort has been made to ensure that the data in this catalogue is correct, but we cannot assume any responsibility should there be an error.

WARNING

Follow the manufacturer's installation procedures.

Over-filling or under-filling a wheel hub with lubricant may result in premature component failure, creating a risk of serious bodily harm.

Never spin a bearing with compressed air. The rollers may be forcefully expelled, creating a risk of bodily harm. Failure to follow all instructions and to properly lubricate the bearing can cause equipment failure, creating a risk of serious bodily harm.

BEARING ADJUSTMENT

What method do you use to adjust wheel bearings? Whatever system you employ, it should have these three basic characteristics:

1: ACCURATE, REPEATABLE, VERIFIABLE.

A responsible wheel-bearing adjustment procedure must be both accurate and repeatable. That means you must not only be able to pick a value to which you adjust the bearings, but also get close to it every time, no matter how many times you do it. Verifiable means assuring that the adjustment value is achieved. This is called 'closing the loop.' If your desired adjustment value is always achieved, you have a stable, accurate wheel adjustment procedure.

2: SAFETY

Ask yourself, "If I don't follow the manufacturers' recommended practices during inspection and repair of wheel-hub assemblies, what's the worst thing that can happen?" If you correctly answered that it may cause an operational breakdown, then you can see the importance of conducting a sound bearing adjustment.

3: OPTIMISATION OF WHEEL-END SYSTEM.

A proper wheel-end bearing adjustment program should not only maximise bearing life but improve the life of all wheel-end components including seals.

SEE OVER PAGE FOR CATALOGUE INDEX >>



ALFA ROMEO

Alfa 33	9
Alfa 75	9
Alfa 90	9
Alfa 147	9
Alfa 156	9
Alfa 164	9
Alfa 166	9
Alfasud	9
Alfasprint	9
Alfetta	9
Giulietta	9
GTV, GTV6	9
GTV II	9
SPIDER II	9

AUDI

80	10
80 Quattro	10
90	10
90 Quattro	10
100	10
200	10
200 Avant	10
A3	10
A4	10
A4 Quattro	10
A6	10
A6 Quattro	11
A8, A8 Quattro	11
Cabriolet	11
Fox	11
S2	11
S3	11
S4	11
S6	11
S8	11
TT	11
V8	11

AUSTIN

1800 MK1 & 11	11
1800 MK 11	11
Healey Sprite	11
Kimberley/Tasman	11
Lancer	11

BMW

1600, 1602	11
2000	11
2002	11
2002Ti	11
2500, 2800	11
3.0, 3.3	11
316i	11
316i Compact	12
318	12
318i	12
318iS	12
318Ti Compact	12
323i	12
325E	12
325i	12
328	12
328i, 328iC	12
330	12
523	12
525	13
525E	13
525i	13
528, 528i	13
528i	13
530i	13

535i	13
540i	13
628CSi	13
630CSi, 633CSi, 635CSi	13
635CSi, 635 MCSi	13
730i, 730iL	13
730	13
733i	13
735i, 735iL	13
740	13
745i	13
750i, 750iL	13
750	13
840Ci	13
850i	14
850Ci	14
M3i	14
M5	14
M535i	14
Z3	14

CHRYSLER

300C	14
Centura	14
Neon	14
PT Cruiser	14
Valiant	14
Voyager	14

CITROEN

AX	14
Berlingo	15
BX	15
C5	15
CX	15
Xanita	15
XM	15

DAEWOO

Cielo	15
Espero	15
Lanos	15
Leganza	15
Matiz	15
Nubira	15
Tacuma	15

DAIHATSU

Charade	15
F Series	15
Feroza	15
Handi Van	15
Mira	16
Pyzar	16
Rocky	16

FIAT

124, 124S	16
125, 125S	16
127	16
128	16
128-3P	16
131	16
132	16
Argenta	16
Croma	16
Regatta	16
X1/9	16

FORD

Anglia	16
Capri	16
Corsair	16
Cortina	16

Cougar	17
Courier	17
Econovan	17
Escape	17
Escort	17
Explorer	17
F100/Bronco	17
F150	17
F250	17
F350	17
Fairlane & LTD	18
Falcon	18
Festiva	19
KA	19
Laser	19
Maverick	19
Meteor	19
Mondeo	19
Mustang	19
Probe	19
Raider	19
Taurus	20
Telstar	20
Territory	20
Transit	20

HOLDEN

Adventra	20
Apollo	20
Astra	20
Barina	20
Calibra	20
Camira	20
Commodore	20
Crewman	21
Cross 8	21
Drover	21
Frontera	21
Gemini	21
Holden	21
Jackaroo 4 x 4	21
Nova	22
Rodeo	22
Scurry	22
Shuttle	22
Statesman & Caprice	22
Suburban	22
Sunbird	22
Torana	22
Vectra	23
Zafira	23
Raider	19
Taurus	20
Telstar	20
Territory	20
Transit	20

HONDA

Accord	23
Civic	23
Concerto	23
CRV	23
CRX	23
Integra	23
Jazz	23
Prelude	23

HUMMER

H1	24
H2	24

HYUNDAI

Accent	24
Elantra	24

HYUNDAI

Excel	24
Lantra	24
Sonata	24
S Coupe	24
SFX Coupe	24
Tiburon	24

ISUZU

All	24
-----	----

JEEP

Cherokee	24
Grand Cherokee	24
Wrangler	24

KIA

Carnival	24
Mentor	25
Pregio	25
Sorento	25
Sportage	25

LADA

Niva	25
Samara	25

LANCIA

Beta	25
------	----

LEXUS

RX330	25
RX350	25
RX400H	25

LEYLAND

Marina	25
P76	25

MAZDA

121	25
3	25
323	25
6	25
626	26
808	26
929	26
1000, 1200	26
1300	26
1600	26
Astina	26
B series	26
CX7	26
CX9	26
E series	26
MX5	26
MX6	26
Protege	27
R100	27
RX2, RX3	27
RX4	27
RX5	27
RX7	27
Tribute	27

MERCEDES

190	27
190E	27
220, 220D	27
220E	27
230	27
230E	27

230GE	27
230TE	27
240D	27
250	27
260E	27
280C, CE, E	27
280CE, E, TE	27
280S, SE, SEL	28
280SL, SLC	28
300	28
300D, 300TD	28
300GD	28
300SE, SEL	28
300CE, E	28
320E	28
350SE, SEL	28
350SL, SLC	28
380SE, SEL	28
380SL, SLC	28
400SL, SEL	28
420SE, SEL	28
450SL, SLC	28
500SE, SEC, SEL	28
500SL	28
560SE, SEC, SEL	28
600SE, SEC, SEL	28
600 SL	28
A Class	28
C Class	28
CL420, 600	28
CLK200, 430	28
E200, 420	29
E220	29
E230, 240, 270	29
E280	29
E300D, TD	29
E320	29
MB100, 140	29
ML230, 320	29
S Class	29
SL280, 600	29
SLK200, 230	29
Sprinter	29
Vito	29

MINI

Mini Cooper	29
and Cooper S	29

MITSUBISHI

380	29
Challenger	29
Colt	29
Cordia	29
L200 Express Ute	29
L300 Express Van	30
Galant	30
Lancer	30
Magna	30
Nimbus	30
Outlander	31
Pajero	31
Scorpion	31
Sigma	31
Starion	31
Starwagon	31
Triton	31
Verada	31

MORRIS

Major Elite, Minor 1000	31
Mini 850, Mini K	31
1100, 1100S, 1300, 1500	31

NISSAN

120Y	31
180B	32
180SX	32
200B	32
200SX	32
240, 260C	32
260C, 280C, 300C	32
240K	32
240Z, 260Z	32
280ZX	32
300ZX	32
620, 621	32
720	32
1000	32
1200	32
1600	32
2000, 2300, 2400	32
B20, B120	32
Bluebird	32
Cabstar	33
Fairlady	33
Gazelle	33
Homer	33
Maxima	33
Micra	33
Navara	33
Nomad	33
NXR	33
Pathfinder	33
Patrol	33
Pintara	33
Prairie	33
Pulsar	33
Serena	33
Silvia	33
Skyline	34
Stanza	34
Sunny	34
Terrano	34
Urvan	34
Utility	34
Vanette	34
X-Trail	34

PROTON

M21	34
Persona	34
Satria	34
Wira	34

PEUGEOT

205GTI	34
205SI	34
206	34
306	34
307	34
403	35
404	35
405	35
406	35
504	35
505	35
604	35
605	35
607	35

RENAULT

Clio II	35
Fuego	35
Laguna	35
Megane	35
Virage	35

ROVER

Defender	35
Discovery	35
Freelander	35
Landrover	35
MGF	36
Quintet	36
Range Rover	36

SAAB

9-Mar	36
9-May	36
99	36
900	36
9000	36

SEAT

Cordoba	36
Ibiza	36
Toledo	36

SSANGYONG

Musso	36
Korando	36

SUBARU

1400, 1600	36
1800	36
Brumby	36
Forester	37
Impreza	37
Leone	37
Liberty	37
Outback	37
SVX	37
Vortex	37

SUZUKI

Alto	37
Carry ST80V	37
Carry Super	37
Grand Vitara	37
Hatch	37
LJ50	37
Mighty Boy	37
Sierra	37
Swift	37
Vitara	37
X90	37
XL7	37

TOYOTA

Avalon	37
Avante	38
Avensis	38
Blizzard	38
Bundera	38
Camry	38
Cel	



FIG 1

Front Driving Wheels
2 Separate Bearings

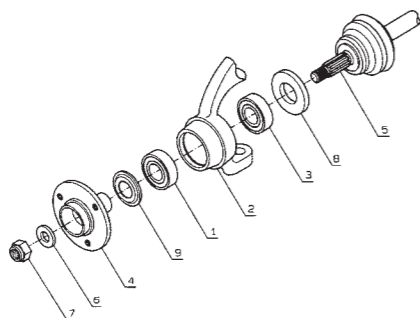


FIG 3

Front Driving Wheels
Hub Bearing Assembly

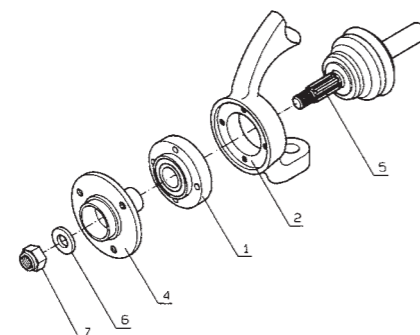


FIG 5

Rear Non Driving Wheels
Cartridge Bearing

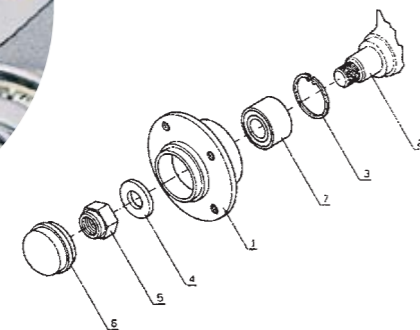


FIG 7

Rear Driving Wheels
Tapered Roller Bearing
Unit Assembly

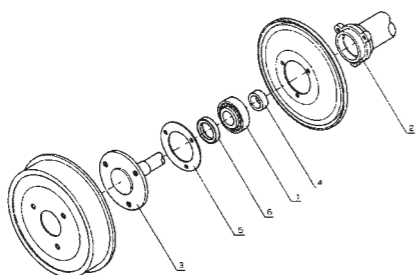


FIG 2

Front Driving Wheels
Cartridge Bearing

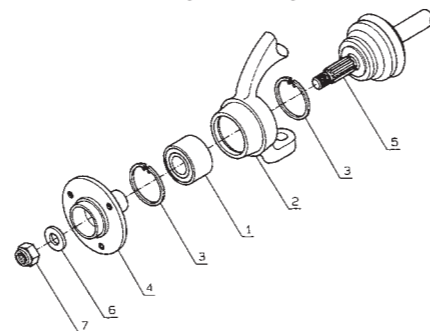


FIG 4

Rear Non Driving Wheels
2 Separate Bearings

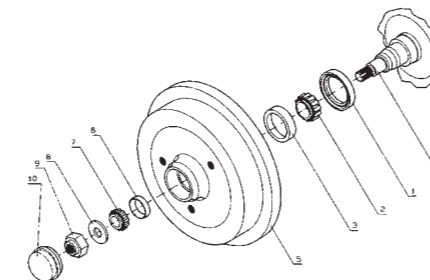


FIG 6

Rear Non Driving Wheels
Hub Bearing Assembly

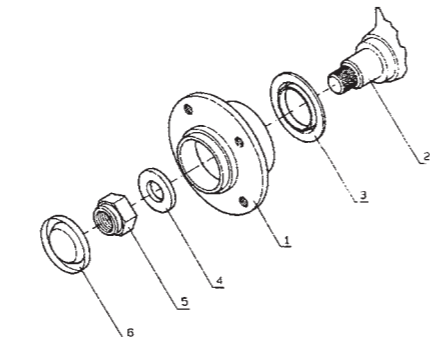
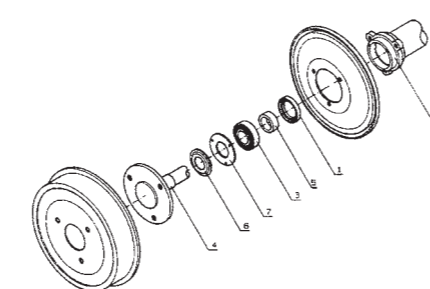


FIG 8

Rear Driving Wheels
Ball Bearing



FRONT DRIVING WHEELS

(Fig.1) Bearing replacement (2 separate bearings)

Removal:

Follow the corresponding instructions in the vehicle manufacturer's workshop manual.

Remounting:

- A Mount the bearings (1) and (3) into the knuckle (2).
- B Mount the seal (9) onto the hub (4).
- C Assemble the hub (4) into the bearings and the knuckle.
- D Back up the bearing (3) with the plate (8).
- E Assemble the drive shaft (5) into the hub (4).
- F Fit the washer (6) and nut (7) onto the drive shaft end. Tighten the nut.
- G Check the assembly (tight spots, etc....).

(Fig.2) Replacement of a cartridge bearing

Removal:

Dismount the wheel and the brake components. Unscrew the drive shaft retaining nut (7).

When removing the wheel bearing follow the corresponding instructions in the vehicle manufacturer's workshop manual.

REAR NON-DRIVING WHEELS

(Fig.4) Bearing replacement (2 separate bearings)

Removal:

Dismount the wheel. Prise off the hub cap (10) and unscrew the hub nut (9). During dismantling of the brake drum (5) and the bearings, follow the corresponding instructions in the vehicle manufacturer's workshop manual.

Remounting:

- A Generously grease the bearings (2) and (7).
- B Fit the bearing outer races (3) and (6) into their seats in the hub (5).
- C Place the inner bearing race (2) into its outer race (3).
- D Drive the seal (1) into the hub (5).
- E Slide the inner bearing race (2) together with the seal (1) and the hub (5) onto the stub axle (4).
- F Place the inner bearing race (7) into its outer race (6).
- G Fit the thrust washer (8) and tighten the hub nut (9).
- H Adjust the bearings.
- I Check the assembly (tight spots, vibration, etc....).
- J Refit the hub cap (10).

For more details, see page 5.

Remounting:

- A Fit the bearing (1) into the knuckle (2). Respect normal handling precautions.
- B Locate the bearing (1) in the knuckle (2) with the two circlips (3).
- C Fit the hub (4) into the bore of the bearing (1). Slide the assembly over the splines of the drive shaft (5).
- D Fit the thrust washer (6) and tighten the hub nut (7) to the torque specified in the vehicle manufacturer's workshop manual.
- E Check the assembly (tight spots, vibration, etc....).

(Fig.3) Replacement of a hub bearing assembly

Removal:

Dismount the wheel. During dismantling, follow the corresponding instructions in the vehicle manufacturer's workshop manual.

Remounting:

- A Mount the hub bearing assembly (1) into the knuckle (2).
- B Fit the hub (4) into the bore of the bearing (1).
- C Slide the hub (4) over the splines of the drive shaft (5).
- D Fit the thrust washer (6) and tighten the nut (7).
- E Check the assembly (tight spots, etc....).

(Fig.5) Replacement of a cartridge bearing

Removal:

Dismount the wheel and the brake components. When removing the wheel bearing follow the instructions in the vehicle manufacturer's workshop manual.

Remounting:

- A Fit the bearing (7) into the hub (1) and engage the circlip (3).
- B Fit the assembly onto the stub axle (2).
- C Fit the washer (4) then the nut (5) and tighten.
- D Refit the hub cap (6).
- E Check the assembly (tight spots, etc....).

(Fig.6) Replacement of a hub bearing assembly

Removal:

Dismount the wheel and the brake components. Prise off the cover (6) and unscrew the hub nut (5). When removing the wheel bearing follow the corresponding instructions in the vehicle manufacturer's workshop manual.

Remounting:

- A Replace the shield (3).
- B Fit the hub bearing (1) onto the stub axle (2).
- C Fit the thrust washer (4) and tighten the hub nut (5) to the torque specified in the vehicle manufacturer's workshop manual.
- D Check the assembly (tight spots, etc....).

REAR NON-DRIVING WHEELS

(Fig.7) Replacement of a tapered roller bearing Unit assembly

Removal:
Dismount the wheel and the brake components. When removing the wheel bearing follow the corresponding instructions in the vehicle manufacturer's workshop manual.

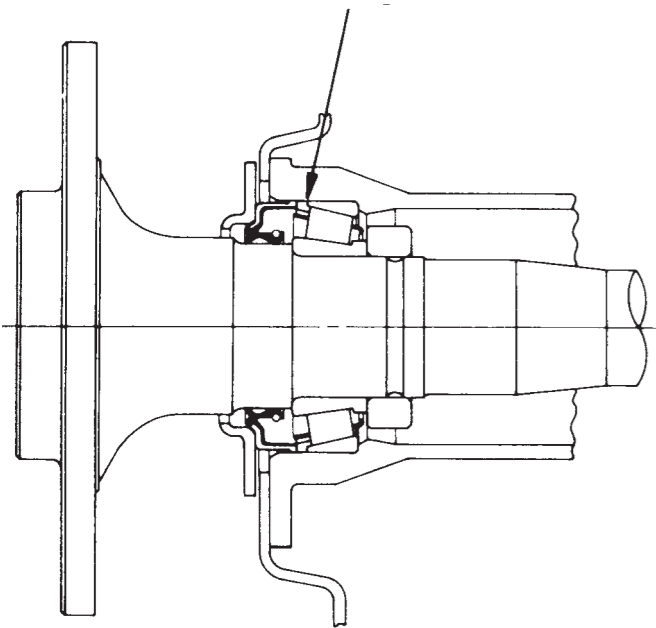
- Remounting:**
- A** Fit the backing plate (5), the seal (6), the bearing assembly (1) and locking collar (4) onto the half shaft (3). The bearing (1) and the locking collar (4) must not be heated to permit assembly.
 - B** Fit the half shaft together with the bearing assembly into the axle end (2). Care should be taken to avoid separation of the two parts of the outer ring of the bearing.
 - C** Secure the assembly with screws.
 - D** Check the assembly (tight spots, vibration, etc....).

When installing a Timken Unit-Bearing™, the rib ring must be mounted toward the axle flange.

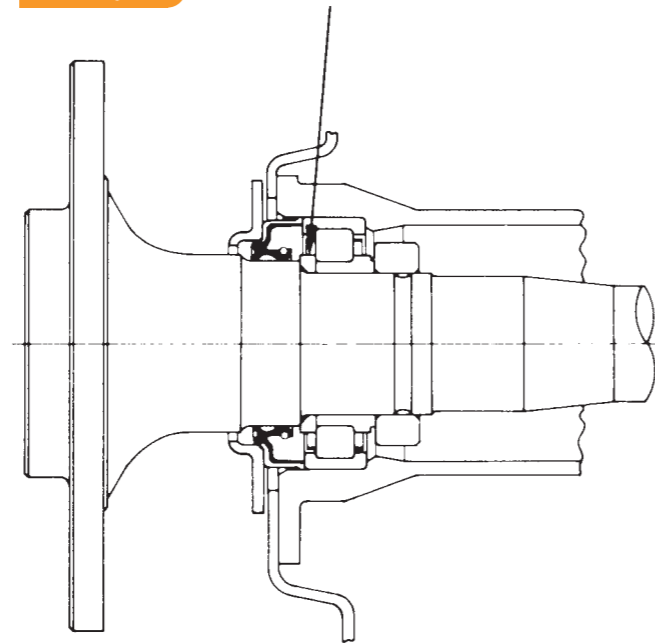
Note that the bearing is manufactured with the cup and ring bonded together with an adhesive to facilitate bearing handling and installation. Since the cup and rib ring are clamped together in the axle housing, there is no need for a permanent bond. If the cup should become separated from the rib ring and cone assembly, the bearing is still functional if the parts are not mixed with other bearings and if care is taken to assemble in the proper manner as shown in the drawing A.

If you are replacing a straight roller bearing with the interchangeable Timken Unit-Bearing™, you must make certain that you **remove and discard the inner race rib**. If this is not done, the Timken Unit-Bearing™ will not be positioned in the proper location on the shaft.

DRAWING A



DRAWING B



(Fig.8) Replacement of a ball bearing

Removal:
Dismount the wheel and the brake components. When removing the wheel bearing follow the corresponding instructions in the vehicle manufacturer's workshop manual.

- Remounting:**
- A** Drive the seal (1) into the bore of the housing on the end of the axle (2).
 - B** Fit the shield (6) and the backing washer (7) onto the half shaft (4).

- C** Fit the bearing (3) onto the half shaft (4).
- D** Clamp the bearing (3) with the locking collar (5) (which should be heated prior to assembly).
- E** Fit the half shaft (4) together with the bearing assembly into the axle end (2).
- F** Secure the assembly with fasteners.
- G** Check the assembly (tight spots, vibration, etc....).

STEP ONE		Follow vehicle manufacturer's recommendation procedure to remove tyre and wheel assembly, disc brake caliper, dust cap, cotter pin, adjusting nut and washers. WARNING: FAILURE TO FOLLOW RECOMMENDED PROCEDURE FOR REMOVAL AND REINSTALLATION MAY CAUSE DAMAGE RESULTING IN BRAKE FAILURE DURING OPERATION. REMOVE ROTOR/HUB ASSEMBLY Pull rotor toward you to loosen outer bearing cone. Don't let cone fall. Pull rotor/assembly off spindle. The inner bearing and seal will come with it. To remove the inner cone use a seal puller or pry out the inner seal. Discard the seal after removal.
STEP TWO		CLEAN AND INSPECT SPINDLES AND HUBS Remove all old lubricant from rotor/hub assembly and spindle, then clean them with kerosene or mineral seal. Inspect spindle for scoring, bending, thread or other damage. File off nicks and burrs. Follow manufacturer's recommendation for permissible spindle wear. A light grease coating on cone seats will make installation easier, prevent fretting.
STEP THREE		INSPECT CUPS AND ROTOR/HUB Inspect cups in the housing for pitting, metal flaking, scoring, rust, other obvious damage. Remove damaged cups with mild steel bar. Replace cup and mating cone. Inspect hub bore and cup backing shoulder and remove nicks and burrs that prevent cup from seating properly.
STEP FOUR		CLEAN AND INSPECT CONES Using a long-bristled brush and kerosene or mineral seal, wash all old lubricant from cones. Allow cones to air-dry. WARNING: DO NOT SPIN THE BEARING AT ANY TIME WITH AN AIR GUN BECAUSE THE ROLLERS MAY ESCAPE THROUGH THE CAGE AND FLY OUT FROM THE BEARING, THEREBY CREATING A RISK OF BEING STRUCK. Inspect cones for wear, metal flaking, rust, cage damage or other visual damage. Replace all damaged cones and mating cups.
STEP FIVE		INSTALL CUP Use the "Wheel Bearing Fitting Tool" to press or drive new cups into the hub, until solidly seated against the rotor/hub shoulder. Never use a cone to drive a cup.
STEP SIX		LUBRICATE Repack cones immediately after inspection or fresh from carton. A pressure grease packer is recommended. To hand-pack cones force grease under the cage between the rollers from the large end of the rollers until it shows at the small end. Fill the hub with grease to the inside diameter of the outer races and also fill hub grease cap. This layer combats moisture and retains grease in cones. WARNING: FAILURE TO CORRECTLY LUBRICATE BEARING — AND MAINTAIN PROPER LUBRICATION — MAY RESULT IN BEARING DAMAGE WHICH COULD CAUSE WHEEL TO LOCK OR COME OFF DURING OPERATION.
STEP SEVEN		INSTALL GREASE SEAL Grease seals must be replaced when they leak or when bearings are being repacked or replaced. Install inner cone in hub, then the seal. Make sure seal lips are pointed in right direction. Use proper seal installation tool.
STEP EIGHT		INSTALL ROTOR/HUB ASSEMBLY Slide rotor/hub assembly back over spindle, being careful not to damage the seal against the spindle outer end or threads. Insert grease-packed outer cone, washer and adjusting nut.
STEP NINE		ADJUST BEARING Use a 12" wrench to tighten adjusting nut while turning rotor. When rotor binds slightly, all parts are properly seated. Back nut off 1/6 to 1/4 turn or sufficiently to allow .001" to .010" end play. Then lock the nut with a new cotter pin. WARNING: FAILURE TO BACK OFF ADJUSTING NUT WILL CAUSE BEARING TO RUN HOT AND BE DAMAGED. WHEEL COULD THEN LOCK OR COME OFF DURING OPERATION.
STEP TEN		CHECK BEARING ADJUSTMENT Use a dial indicator to measure end play. Mount indicator base as close to center of rotor/hub as possible. With the indicator tip against the end of the spindle, set indicator at zero. Grasp rotor at nine o'clock and three o'clock. Push rotor in and out, oscillating it at the same time, to seat parts. Read bearing end play as the total indicator movement. Reinstall all components as manufacturer recommends.

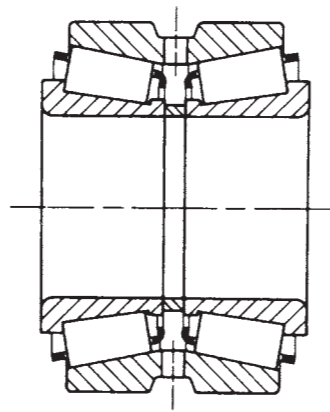
WHAT YOU SHOULD KNOW ABOUT SPACER BEARING ASSEMBLIES

Spacer bearing assemblies are used to speed up bearing installation. They are pre-set to eliminate manual bearing setting by the equipment manufacturer or rebuilder.

Parts of one bearing assembly are not interchangeable with parts of another bearing assembly, even though the components carry the same part number.

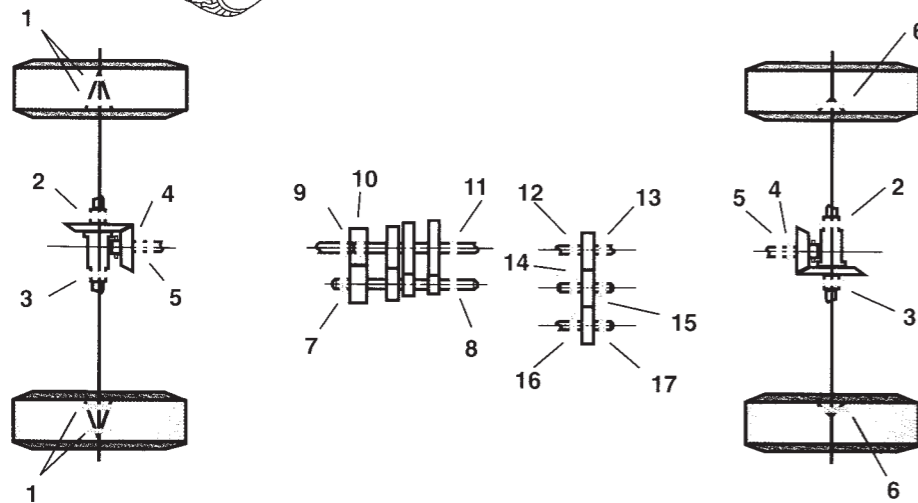
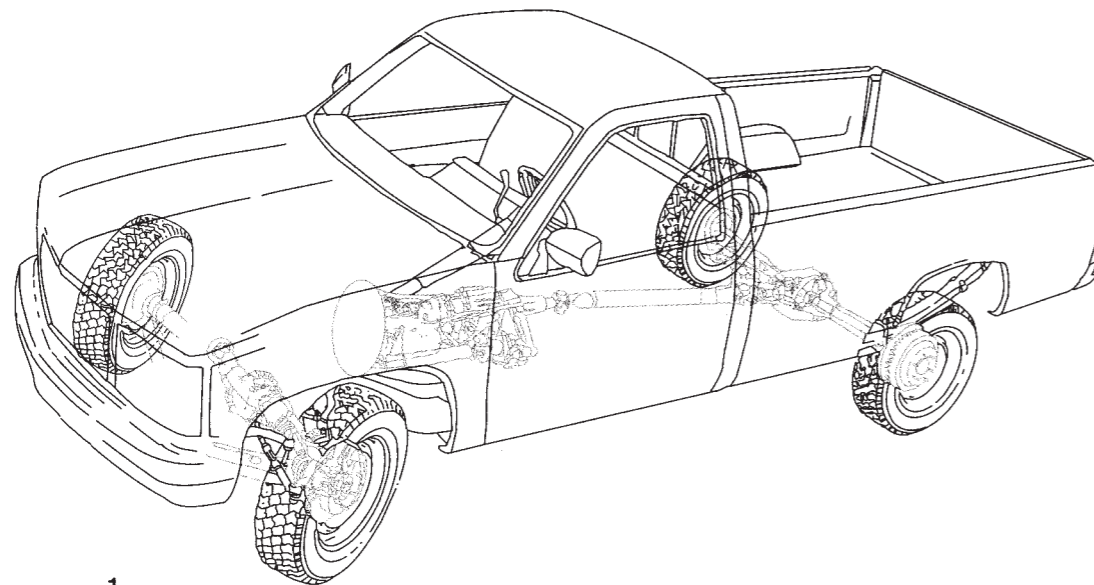
And remember: always replace a spacer bearing with another complete new assembly.

This diagram shows how spacers are used between the cone front faces.



AUTOMOTIVE AND LIGHT TRUCK BEARING APPLICATIONS

Typical Rear-Wheel Drive or Four-Wheel Drive Vehicle



1. Front Wheel Inner/Front Wheel Outer or One Double-Row Unitised Bearing	6. Rear Wheel	12. Transfer Case - Input Shaft Front
2. Differential Right	7. Transmission - Countershaft Front	13. Transfer Case - Input Shaft Rear
3. Differential Left	8. Transmission - Countershaft Rear	14. Transfer Case - Intermediate Shaft Front
4. Pinion Head	9. Transmission - Input Shaft	15. Transfer Case - Intermediate Shaft Rear
5. Pinion Tail	10. Transmission - Main Shaft Pocket	16. Transfer Case - Output Shaft Front
	11. Transmission - Main Shaft Rear	17. Transfer Case - Output Shaft Rear

MODEL/SERIES	YEARS	ENGINE DETAILS	SPECIAL DATES/COMMENTS	BRAKES FRONT	BRAKES REAR	KIT FRONT	KIT REAR
ALFA ROMEO							
ALFA 33							
	1983-3/89		2WD Inc. ABS			7005	
	1983-3/89		2WD Exc. ABS			7005	7001
	4/89-94		2WD Inc. ABS			7010	
	4/89-94		2WD Exc. ABS			7010	7001
	1984-3/89		4WD			7005	7001
	4/89-5/91		4WD			7010	7001
	6/91-94		4WD			7010	7011
ALFA 75							
	to 9/85		LH			7003	7008
	to 9/85		RH			7003	7004
	10/85-89		LH			7003	7009
	10/85-89		RH			7003	7006
	1990-92		LH			7007	7009
	1990-92		RH			7007	7006
ALFA 90							
	1984-9/85		LH			7003	7008
	1984-9/85		RH			7003	7004
	10/85-87		LH			7003	7009
	10/85-87		RH			7003	7006
ALFA 147							
	2000 on		ABS(ASB)			7019	7017
ALFA 156							
	1997 on		ABS(ASB)			7018	7017
ALFA 164							
	1987-92	2.0L TS	Exc. ABS			7408	7409
	1987-92	2.0L TS	Inc. ABS			7408	7020
ALFA 166							
	1998 on		ABS(ASB)			7018	7016
ALFASUD							
	1972-84					7000	7001
ALFASUD SPRINT							
	1977-87		Inc. Diff Brakes			7000	7001
	1987-89		Hub brakes			7005	7001
ALFETTA							
	1972-76		LH			7002	7008
	1972-76		RH			7002	7004
	1977-2/80		LH			7001	7008
	1977-2/80		RH			7001	7004
	3/80-84		LH			7003	7008
	3/80-84		RH			7003	7004
GIULIETTA							
	1978-2/80		LH			7001	7008
	1978-2/80		RH			7001	7004
	3/80-85		LH			7003	7008
	3/80-85		RH			7003	7004
GTV, GTV6							
	1981-84	2.0L & 2.5L V6	LH			7003	7008
	1981-84	2.0L & 2.5L V6	RH			7003	7004
	1985-87	2.0L & 2.5L V6	LH			7003	7009
	1985-87	2.0L & 2.5L V6	RH			7003	7006
GTV II							
	1995 on	1.8 TS 16V, 2.0 TS 16V				7021	7014
	1995 on	2.0 V6 TURBO, 3.0 V6 12V/24V				7015	7014
	1998 on	1.8 TS, 2.0 TS	ABS(ASB)			7013	7014
SPIDER II							
	1995-4/00	1.8 TS 16V, 2.0 TS 16V	Ch.->VET.6063040			7021	7014
	4/00 on	1.8 TS 16V, 2.0 TS 16V	Ch..VET.6063041->			7021	
	1995-4/00	2.0 V6 TURBO, 3.0 V6 12V/24V	Ch.->VET.6063040			7013	7014
	4/00 on	2.0 V6 TURBO, 3.0 V6 12V/24V	Ch..VET.6063041->			7013	

MODEL/SERIES	YEARS	ENGINE DETAILS	SPECIAL DATES/COMMENTS	BRAKES FRONT	BRAKES REAR	KIT FRONT	KIT REAR
AUDI							
80							
	1972-74		Ch.->824207273			7107	7102
	1974-88	Rear Drum			Drum	7103	7102
	1985-4/88	Rear Disc	Ch.->8AN200000		Disc	7103	7101
	5/88-92	Rear Drum	Ch.->8AN200000		Drum	7105	7102
	5/88-92	Rear Disc	Ch. 8CN000001->		Disc	7105	7101
	1992-95	1.6-1.9-2.0-2.3 inc. Wagon (Avant)				7105	7101
	1991-95	2.6 V6, 2.8 V6 inc. Wagon (Avant)				7110	7101
	1992-95	Wagon (Avant) QUATTRO 2.0,2.3,2.6 V6, 2.8 V6				7110	7110
80 QUATTRO							
	1983-5/88		Ch.->89J351000			7103	7100
	5/88-94	1.8,2.0	Ch. 89J351001->			7105	7105
	5/88-94	2.3 (15" Wheel)	4 Stud			7105	7105
	5/88-94	2.3 (16" Wheel), 2.6 V6, 2.8 V6	5 Stud			7110	7105
90							
	1985-4/88		Ch.->89J373598		Drum	7103	7102
			Ch.->89J373598		Disc	7103	7101
	1987-91	Inc. 5 Cyl	Ch.89J373599->		Drum	7105	7102
		Inc. 5 Cyl	Ch.89J373599->		Disc	7105	7101
	1988-91	2.3 (100KW)				7105	7101
	1989-91	2.3 20V (125KW)				7110	7101
90 QUATTRO							
	1985-4/87		Ch.->89J351001			7103	7100
		With Air Cond.	Ch.89J351001->			7105	7100
	5/88-91	2.0-2.3	Ch.->89J351001			7105	7105
	1988-91	2.3 20V (125KW)				7110	7105
100							
	1977-9/85	All inc. Wagon (Avant)	Ch.->44G033840			7100	7101
	1984-9/85	Wagon (Avant) QUATTRO	Ch.->44G033840			7100	7104
	9/85-12/87	All inc. Wagon (Avant)	Ch.44G033841->44J200099			7104	7101
	9/85-12/87	Wagon (Avant) QUATTRO	Ch.44G033841->44J200099			7104	7104
	1988-94	All inc. Wagon (Avant)	Ch.->44J200100			7110*	7101
	1988-94	Wagon (Avant) QUATTRO	Ch.->44J200100			7110	7110
* Automatic models from 1/88-90 use 7104							
200							
	1980-8/85		Ch.->44G033840			7100	7101
	9/85-1/88		Ch.44G033841->44J200099			7104	7101
	2/88-91	Manual	Ch.44J200100->			7110	7101
	2/88-91	Automatic	Ch.44J200100->			7104	7101
200 AVANT							
	1985	QUATTRO					
	1986-1/88	QUATTRO	Ch.->44J200099				
	2/88-91	QUATTRO	Ch.44J200100->				
A3							
	1996 on						
	1996 on	QUATTRO					
A4							
	1995-96	1.6, 1.8 inc. Wagon (Avant)				7105	7101
	1997 only	1.6, 1.8 inc. Wagon (Avant)	Ch.->8D-V-152676			7105	7111
	1998-99	1.6, 1.8 inc. Wagon (Avant)	Ch.8D-V-152676->			7105	7101
	1995-96	2.4, 2.6, 2.8 inc. Wagon (Avant)	Ch.->8-D-T-160955			7106	7101
	1996 only	2.4, 2.6, 2.8 inc. Wagon (Avant)	Ch.->8D-V-152676			7110	7101
	1997 only	2.4, 2.6, 2.8 inc. Wagon (Avant)	Ch.8D-V-152677->			7110	7111
	1998-99	2.4, 2.6, 2.8 inc. Wagon (Avant)				7110	7101
A4 QUATTRO							
	1995-99	1.8 (85,92,110 KW)				7105	7105
	1995-96	2.6, 2.8 (128KW)	Ch.->8D-T-160955			7106	7105
	1996-99	1.8 (132KW), 2.4, 2.6, 2.8 (128, 142 KW)	Ch.8D-T-160956->			7110	7105
A6							
	1995-97	2.6 2WD inc. Wagon (Avant)				7110	7101

MODEL/SERIES	YEARS	ENGINE DETAILS	SPECIAL DATES/COMMENTS	BRAKES FRONT	BRAKES REAR	KIT FRONT	KIT REAR
A6 (CONTINUED)							
	1997-00	2.4 2WD inc. Wagon (Avant)				7110	7114
A6 QUATTRO							
	1994-97	Inc. Wagon (Avant)				7110	7110
	1998 on	V6				7110	7112
	1999-00	V8				7113	7113
A8, A8 QUATTRO							
	1994-96		Ch.->4D-T-007000				
	1996-98		Ch.4D-T-007001 - 4D-005000				
	1998-00		Ch.4D-X-005001->				
CABRIOLET							
	1992-97	2.6 V6, 2.8 V6				7110	7101
	1997-99	2.6 V6, 2.8 V6	Ch.8GV004800->			7110	7111
FOX							
	1974-79					2905	2806
S2							
	1992-95					7110	7110
S3							
	1999 on					7108	7108
S4							
	1991-94					7110	7110
	1998-99	Inc. Wagon (Avant)	Ch.->8D-X-290000			7110	7105
	1999 on	Inc. Wagon (Avant)	Ch.8D-X-290001->			7113	7105
S6							
	1994-97	Inc. QUATTRO				7110	7110
S8							
	1997-98	QUATTRO	Ch.->4D-X-005000			7110	7110
	1998-00	QUATTRO	Ch.4D-X-005001->			7113	7113
TT							
	1999 on	Inc. ROADSTER				7108	7109
V8							
	1989-93					7110	7110

AUSTIN							
1800 MK1 & 11							
	1965-69	1.8L	To chassis 54758A			2703	2704
1800 MK 11							
	1967-73	1.8L	From chassis 54758A				2704
HEALEY SPRITE							
	1960-67	1.0, 1.1L				2780	
KIMBERLEY / TASMAN X6							
	1970-73	2.2L					2704
LANCER							
	1960-62	1.5L				2780	

BMW							
1600, 1602							
	11/67-75					7200	7201
2000							
	1971-74					7200	7201
2002							
	1968-75	A-Cab				7200	7201
2002Ti							
	1968-75	inc. TOURING				7202	7201
2500, 2800							
	1969-77	All				7202	7203
3.0, 3.3							
	1972-77	All				7202	7203
316i							
	1993-99	E36 (M43) inc. COUPE	With Traction Control			7213	7215
	1993-99	E36 (M43) inc. COUPE	Exc. Traction Control			7213	7214
	1998-9/00	E46				7213	7215

MODEL/SERIES	YEARS	ENGINE DETAILS	SPECIAL DATES/COMMENTS	BRAKES FRONT	BRAKES REAR	KIT FRONT	KIT REAR
316i COMPACT							
	1993-8/99	E36				7213	7219
318							
	1975-83	E21				7200	7201
318i							
	1979-84	E21				7202	7201
	1983-90	E30	Exc. ABS			7204	7205
	1983-90	E30	With ABS			7208	7209
	1991 on	E36				7213	7214*
	1991 on	E36 CABRIOLET & COUPE				7213	7215
	1997-9/00	E46				7213	7215
* E36 with ABS 1991-12/91 use 7215							
318is							
	8/89-90	E30	Exc. ABS			7204	7209
	8/89-90	E30	With ABS			7208	7209
	1991 on	E36				7213	7215
318Ti COMPACT							
	3/94 on	E36 (M42)				7213	7219
320i, 320ic							
	10/76-79	E21				7202	7201
	1982-92	E30	Exc. ABS			7204	7205
	1983-9/85	E30	With ABS			7208	7205
	9/85-92	E30 inc. TOURING	With ABS			7208	7209
	1990-8/99	E36				7213	7215
	1997-9/00	E46				7213	7215
320is							
	1987-91					7208	7209
323i							
	1977-83	E21				7202	7203
	81-9/85	E30	Exc. ABS			7204	7205
	81-9/85	E30	With ABS			7208	7205
	9/85-87	E30	Exc. ABS			7204	7209
	9/85-87	E30	With ABS			7208	7209
	1994-8/99	E36 (inc. Coupe, Cabriolet, Touring)				7213	7215
	1994-8/99	E46				7213	7215
325e							
	1983-8/85	E30	Exc. ABS			7204	7205
	1983-8/85	E30	With ABS			7208	7205
	9/85-90	E30	Exc. ABS			7204	7209
	9/85-90	E30	With ABS			7208	7209
325i							
	1983-5/85	E30	Exc. ABS			7204	7205
	9/85-90	E30	Exc. ABS			7204	7209
	1983-90	E30	With ABS			7208	7209
	1991-95	E36 (inc. Coupe, Cabriolet, Touring)				7213	7215
328							
	1973-78	E12				7202	7203
328i, 328ic							
	1994-8/99	E36				7213	7215
	1997-9/00	E46				7213	7215
330							
	1/99-9/99	E46				7213	7221
520i							
	1972-82	E12				7202	7203
	1980-4/86	E28	Exc. ABS			7206	7207
	1980-9/86	E28	With ABS			7210	7207
	4/86-88	E28	Exc. ABS			7206	7211
	9/86-88	E28	With ABS			7210	7211
	1987-3/91	E34 ALL				7212	7211
	4/91-96	E34 ALL				7213	7211

MODEL/SERIES	YEARS	ENGINE DETAILS	SPECIAL DATES/COMMENTS	BRAKES FRONT	BRAKES REAR	KIT FRONT	KIT REAR
523							
	1995-9/00	E39				7217	7218
525							
	1973-82	E12				7202	7203
525E							
	1982-4/86	E28	With ABS			7210	7207
	4/86-88	E28	With ABS			7210	7211
525i							
	1987-3/91	E34				7212	7211
	4/91-96	E34 Sedan				7213	7211
	91-97	E34 TOURING (Wagon)				7213	7207
	1995-9/00	E39				7217	7218
528, 528i							
	1974-82	E12				7202	7203
528i							
	4/81-88	E28	Exc. ABS			7206	7207
	4/81-88	E28	With ABS			7210	7207
	1995-9/00	E39				7217	7218
530i							
	1987-91	E34 (M30)				7212	7207
	1992-97	E34 (M60) & TOURING				7213	7207
535i							
	1984-88	E28				7210	7207
	1987-11/91	E34				7212	7207
	12/91-94	E34				7213	7207
	1995-9/00	E39				7217	7218
540i							
	1992-97	E34 inc. TOURING				7213	7207
	1995-9/00	E39				7217	7218
628Csi							
	1980-5/82	E24 All				7216	7203
	5/82-88	E24	Exc. ABS			7206	7207
	5/82-88	E24	With ABS			7210	7207
630Csi, 633Csi, 635Csi							
	1975-6/78	E24				7202	7203
	6/78-5/82	E24				7216	7203
635Csi, 635 MCSi							
	5/82-90	E24				7210	7207
730i, 730iL							
	1986-11/91	E32	Inc. EDC			7212	7207
	11/91-95	E32	Inc. EDC			7213	7207
730							
	1993-9/00	E38				7220	7221
733i							
	1976-9/81	E23				7216	7203
	9/81-83	E23				7216	7207
735i, 735iL							
	1985-11/91	E32	Inc. EDC			7212	7207
	11/91-93	E32	Inc. EDC			7213	7207
750							
	1993-9/00	E38				7220	7221
840Ci							
	1992-8/99	E31				7213	7221
850i							
	1989-3/92	E31				7212	7221
	3/92-95	E31				7213	7221
850Ci							
	1989-3/92	E31 (M70)				7212	7221
	3/92-95	E31 (M70)				7213	7221
	1994-8/99	E31 (M73)				7213	7221

MODEL/SERIES	YEARS	ENGINE DETAILS	SPECIAL DATES/COMMENTS	BRAKES FRONT	BRAKES REAR	KIT FRONT	KIT REAR
M3	1992-98	E36				7213	7221
M5	1984-88	E28				7210	7207
	1988-96	E34					7207
M535i	1986-88	E28				7210	7207
Z3	1994-3/99	1.8, 1.9 (M43)				7213	7219
	4/99-9/00	1.9 (M43)				7213	
	1994-12/99	1.9 (M44)				7213	7219
	1/96-9/00	2.0, 2.8, 3.0				7213	
	1/96-9/00	3.2				7213	7221

CHRYSLER							
300C	2006-2008					8061	
CENTURA	1975-77	4 Cyl				2965	2756
	1975-78	6 Cyl				2965	2769
Galant - See Mitsubishi							
Lancer - See Mitsubishi							
Neon							
PL	2000-2002	2L	FWB - Timken assembly/ RWB - Hub unit			2303	8049
PT Cruiser							
PT	2001-2003	2L	FWB - Timken assembly/ RWB - Hub unit			2303	8050
Sigma - See Mitsubishi							
VALIANT							
RV, SV	1961-63	6 Cyl				2710	
AP5, AP6, VC, VE, VF	1963-70	6 & 8 Cyl				2710	
VG	5/70-5/71	215 3523cc 6 Cyl		DSC/DRM	◆	2711	
	5/70-5/71	245 4014cc 6 Cyl		DSC/DRM	◆	2711	
	5/70-5/71	318 5211cc V8		DSC/DRM	◆	2711	
VH	6/71-3/73	265 4342cc 6 Cyl		DSC/DRM	◆	2711	
	6/71-3/73	360 5899cc V8		DSC/DRM	◆	2769	
	6/71-3/73	215 3523cc 6 Cyl		DSC/DRM	◆	2769	
	6/71-3/73	245 4014cc 6 Cyl		DSC/DRM	◆	2769	
	6/71-3/73	318 5211cc V8		DSC/DRM	◆	2769	
	6/71-3/73	340 5571cc V8		DSC/DRM	◆	2769	
VJ	4/73-9/75	215 3523cc 6 Cyl		DSC/DRM	◆	2769	
	4/73-9/75	245 4014cc 6 Cyl		DSC/DRM	◆	2769	
	4/73-9/75	265 4342cc 6 Cyl		DSC/DRM	◆	2769	
	4/73-9/75	318 5211cc V8		DSC/DRM	◆	2769	
	4/73-9/75	340 5571cc V8		DSC/DRM	◆	2769	
	4/73-9/75	360 5899cc V8		DSC/DRM	◆	2769	
VK, CL, CM	10/75-12/81					2713	2769
◆ 2710 Front Drum, 2713 Front Disc							

CITROEN							
AX	1987-4/91	10, 11, 14, 14D, SPORT, GT				7303	7304
	4/91-98	10, 11, 14, 14D, 15D, SPORT, GT				7614	7304
	89-4/91	GTI				7303	7600
	4/91-95	GTI				7614	7600
BERLINGO	1996-1/99		Exc. ABS (Ch.->8098)			7615	7604
	1996-1/99		With ABS (Ch.->8098)			7615	7307
	1/99 on		Exc. ABS (Ch.8099->)			7615	7310
	1/99 on		With ABS (Ch.8099->)			7615	7311

MODEL/SERIES	YEARS	ENGINE DETAILS	SPECIAL DATES/COMMENTS	BRAKES FRONT	BRAKES REAR	KIT FRONT	KIT REAR
BX	9/84-94		Exc. ABS With ABS			7615	7616
						7615	7603
C5	3/01 on	1.8 16V, 2.0 16V, 2.2 HDI, 3.0 V6				7621	7312
CX	1975-2/82	Sedan only				7300	7301
	2/82-91	Sedan only				7302	7301
	1975-2/82	Wagon (BREAK)				7300	7306
	2/82-91	Wagon (BREAK)				7302	7306
XANTIA	1993-6/95		Exc. ABS (Ch.->6778)			7615	7616
	1993-6/95		With ABS (Ch.->6778)			7615	7309
	7/95-9/99		Exc. ABS (Ch.6779->8336)			7615	7604
	7/95-9/99		With ABS (Ch.6779->8336)			7615	7308
	10/99 on		Exc. ABS (Ch.8337->)			7615	7310
	10/99 on		With ABS (Ch.8337->)			7615	
XM	1989-5/97					7601	7305
	6/97-5/00					7605	7305

DAEWOO							
CIELO	1994-95	SOHC Inc. 1.5i	FWD			3226	2806
	1995-97	DOHC	FWD			2772	2806
ESPERO	1995-97	DOHC	FWD			2772	2806
LANOS	1997-02	SOHC	FWD			3226	2806
	1997-02	DOHC	FWD			2772	2806
LEGANZA	1998-2000		Excluding ABS - Suits 4 stud			7752	7754
	1998-2000		with ABS - Suits 4 stud			7752	7753
MATIZ	1997 on					7750	7751
NUBIRA	5/97 on		FWD			2772	2806
TACUMA	9/00 on	2.0L	Excluding ABS			7752	7754
	9/00 on	2.0L	with ABS			7752	7753

DAIHATSU							
CHARADE	1980-83	1.0L				2601	2790
G10	2/83-86	1.0L				1113	1213
G100	1987-4/89					1214	1213
G100, G102, G200, G203	2/89-00		Excluding Automatic			3209	1213
G102	1989-93	1.0L	Automatic			8033	1213
G203	1996-99		Excluding ABS			3209	1213
G203	1996-99		with ABS			3209	
F Series (Scat)	1978-84	1.6, 2.5, 2.8L	Hardtop & Resintop			2602	1211
F20, F50, F60	1980-84	1.6, 2.5, 2.8L	Pick Up			2602	1212
FEROZA							
F300, F310	1988-94	1.6L				3107	3115
HANDI VAN							
L60	1983-85	617cc				1173	1261
L80	1985-90	846cc				1273	2790
MIRA							
L201	1990-92	847cc				1273	2790
PYZAR							
G301, G303	1997-02					3209	8033

MODEL/SERIES	YEARS	ENGINE DETAILS	SPECIAL DATES/COMMENTS	BRAKES FRONT	BRAKES REAR	KIT FRONT	KIT REAR
ROCKY							
F70, F75, F80, F85,	4/85-4/93	2.0, 2.8L				2602	3210
F73, F78	5/93 on					2602	3211
F77, F87	4/84-97					2602	3212*
* Excludes genuine collar							

FIAT							
124, 124S							
	1966-75					7400	7403
125, 125S							
	1967-72					7401	7403
127							
	5/73-76		Ch.->1573628			7406	7404
	1976-86		Ch.1573629->			7406	7407
128							
	1971-73		Ch.531082->1289825			7406	
	1973-9/76	Inc. COUPE & RALLY	Ch.1289826->			7406	7404
	10/76-3/79		Ch.->Z9997			7406	7407
	4/79-84		Ch.Z9998->			7405	7404
128-3P							
	1975-76		Ch.->265621			7406	7404
	1976-79		Ch.265622->			7406	7407
131							
	1974-84					7402	7403
132							
	1972-81					7401	7403
ARGENTA							
	1981-85					7401	7403
CROMA							
	1988-89					7408	7409
REGATTA							
	5/84-3/88		Exc. Wagon rear (Ch.->7292150)			7405	7411
	3/88-90		Exc. Wagon rear (Ch.7292151->)			7410	7411
X1/9							
	1973-79	1300	Ch.1045->6318			7406	7406
	1979-88	1500				7405	

FORD							
ANGLIA							
	1960-10/64	1.0L		DRUM	DRUM	2721	2722
	11/64-65	1.0L		DISC	DISC	2725	2722
CAPRI							
	1969-71	1.6, 3.0L	Excluding Salisbury Diff			2725	2742
SA, SB, SC, SE	10/89-9/94	1.6L	FWD	DISC	DISC	2606	1251
CORSAIR							
UA	11/89-10/92	2.0, 2.4L				1178	8008
CORTINA							
	1962-66			DRUM	DRUM	2721	2722
	1962-66			DISC	DRUM	2725	2722
	1967-6/70					2725	2742
TC							
	8/71-9/74	1.6L 4 Cyl		DISC	DRUM	◆	2769
		2.0L 4 Cyl		DISC	DRUM	◆	2769
		200 3273cc 6 Cyl		DISC	DRUM	◆	2769
		250 4089cc 6 Cyl		DISC	DRUM	◆	2769
TD							
	10/74-5/77	2.0L 4 Cyl		DISC	DRUM	2724	2769
		200 3273cc 6 Cyl		DISC	DRUM	2724	2769
		250 4089cc 6 Cyl		DISC	DRUM	2724	2769
TE							
	6/77-10/80	2.0L 4 Cyl		DISC	DRUM	2738	2769
		200 3273cc 6 Cyl		DISC	DRUM	2738	2769
		250 4089cc 6 Cyl		DISC	DRUM	2738	2769
TF							
	11/80-8/82	2.0L 4 Cyl		DISC	DRUM	2738	2769
		200 3273cc 6 Cyl		DISC	DRUM	2738	2769

MODEL/SERIES	YEARS	ENGINE DETAILS	SPECIAL DATES/COMMENTS	BRAKES FRONT	BRAKES REAR	KIT FRONT	KIT REAR
CORTINA (CONTINUED)							
		250 4089cc 6 Cyl		DISC	DRUM	2738	2769
◆ 2723 to 8/72, 2724 8/72 on							
COUGAR							
SW, SX	10/99-2002	2.5i				7451	
COURIER							
	11/78-5/85	VC, S2, MA 1.8, 2.0, 2.2L				2850	3062
	6/85-4/86	FE, R2, 2.0, 2.2L				1132	3062
	9/88-6/93	F2, 2.2L 4 Cyl CARBY				1132	
	4/86-2/91	FE, F2, R2, 2.0, 2.2L	2WD			1132	3091
	2/91 on	F2, G6, R2, 2.2, 2.6L	2WD				3091
	5/87 on	G54B, G6, 2.6L	2WD			3108	3092
ECONOVAN							
	6/79-4/84	NA 1.6L 4 Cyl		DISC	DRUM	3041	1231
	7/81-4/84	S2 2.2L 4 Cyl Diesel		DISC	DRUM	3041	
	3/84-10/85	UC 1.4L	Single Rear Wheel			▼	1239
	12/84-10/85	UC 1.4L	Dual Rear Wheel			1160	
Van Short & Spectron	4/84-10/86	F8, 1.8L				▼	1239
Van Standard	12/84-8/85	F8, FE, R2, 1.8, 2.0, 2.2L	Single Rear Wheel			1132	
Van Standard	8/85-3/86	F8, FE, R2, 1.8, 2.0, 2.2L	Single Rear Wheel			1132	3091
Van Standard Long	3/86-5/92	F8, FE, R2, 1.8, 2.0, 2.2L	Single Rear Wheel			1132	
Van	12/84-10/86	F8, FE, R2, 1.8, 2.0, 2.2L	Dual Rear Wheel			1132	3093
Spectron	3/86-2/88	2.0L	4WD			3108	3091
▼ 1132 front drum brakes, 1160 disc from 12/84							
Escape							
	2001-2008					8062	
ESCORT							
1100, 1300, 1600GT	3/70-6/77	1.1L 4 Cyl to 71 1.3L 4 Cyl to 75 MK1 Twin Cam 4 Cyl		DRUM	DRUM	2744	2742
				DISC	DRUM	2744	2742
				DISC	DRUM	2725	2742
16, 002, 000	7/77-3/81	1.6L 4 Cyl MK2 2.0L 4 Cyl		DISC	DRUM	2723	2742
				DISC	DRUM	2723	2742
EXPLORER							
UN, UP, UQ & US	1/9/96	4.0L	5 Lug, include sensor, include ABS			3166	3167
	1/9/96	4.0L	Damaged rear axle repair bearing				3167R
UT	10/1/02	4.0 L & 4.6L	Explorer Sport & Sport Trac			3166	3167
	10/1/02	4.0 L & 4.6L	Damaged rear axle repair bearing				3167R
UT, UZ	2002-2005	4.0 L & 4.6L	5 Lug, inc. sensor, inc. ABS & independent rear susp.			8166	8170
UT, UZ	2003-2005	4.0 L & 4.6L	Explorer Sport & Sport Trac, exc. independent rear susp.			8169	3167
UT, UZ	2003-2005	4.0 L & 4.6L	Damaged rear axle repair bearing				3167R
F100 / BRONCO							
	1/74-88	250 4089cc 6 Cyl Carby	2WD			3054	3036
		302 4942cc V8 Carby Cleveland	2WD			3054	3036
		351 5766cc V8 Carby Cleveland	2WD			3054	3036
	1/74-88	250 4089cc 6 Cyl Carby	4WD			1130	3036
		302 4942cc V8 Carby Cleveland	4WD			1130	3036
		351 5766cc V8 Carby Cleveland	4WD			1130	3036
F150							
	1988-1997		RWD - 8.8" RG			3240	3241
	1998-2003		RWD - 9.75" RG			3242	3243
	1998-2003		RWD - 8.8" RG			3242	3241
	2004-2008					8063	
F250							
	1999		Exc 4WD			8064	
	1999-2004		Inc 4WD			8065	
F350							
	1999		Non 4WD			8064	
	1999-2004		4WD			8065	

MODEL/SERIES	YEARS	ENGINE DETAILS	SPECIAL DATES/COMMENTS	BRAKES FRONT	BRAKES REAR	KIT FRONT	KIT REAR
FAIRLANE & LTD							
ZA	3/67-3/68	200 3277cc 6 Cyl		DRUM	DRUM	2738	2737
		289 4735cc V8 Windsor		DRUM	DRUM	2738	2737
ZB	3/68-7/69	221 6 Cyl		DRUM	DRUM	2738	2737
		302 4942cc V8 Carby Windsor		DRUM	DRUM	2738	2737
ZC	7/69-11/70	221 6 Cyl		DRUM	DRUM	2738	2737
		302 4942cc V8 Carby		DRUM	DRUM	2738	2737
		351 5766cc V8 Carby		DRUM	DRUM	2738	2739
ZD	11/70-3/72	250 4089cc 6 Cyl Carby		DRUM	DRUM	2738	2769
		302 4942cc V8 Carby		DRUM	DRUM	2738	2769
		351 5766cc V8 Carby Cleveland		DRUM	DRUM	2738	2769
ZF	4/72-10/73	250 4089cc 6 Cyl Carby		DISC	DRUM	2746	2769
		302 4942cc V8 Carby Cleveland		DISC	DRUM	2746	2769
		351 5766cc V8 Carby Cleveland		DISC	DRUM	2746	2769
ZG	11/73-4/76	250 4089cc 6 Cyl Carby		DISC	DRUM	2746	2769
		302 4942cc V8 Carby Cleveland		DISC	DRUM	2746	2769
		351 5766cc V8 Carby Cleveland		DISC	DRUM	2746	2769
ZH (FB)	5/76-4/79	302 4942cc V8 Carby Cleveland		DISC	DISC	2746	▼
		351 5766cc V8 Carby Cleveland		DISC	DISC	2746	▼
ZJ (FC)	5/79-3/82	250 4089cc 6 Cyl		DISC	DISC	2746	2986
		302 4942cc V8 Carby Cleveland		DISC	DISC	2746	2986
		351 5766cc V8 Carby Cleveland		DISC	DISC	2746	2986
ZK (FD)	3/82-9/84	250 4089cc 6 Cyl		DISC	DISC	2746	2986
		302 4942cc V8 Carby Cleveland	3/82-3/83	DISC	DISC	2746	2986
ZL (FE)	10/84-5/88	250 4089cc 6 Cyl	to 12/86	DISC	DISC	2746	2981
NA (DA)	4/88-6/91	3.9L 6 Cyl		DISC	DISC	1166	2985
NC (DC)	7/91-4/92	3.9L 6 Cyl		DISC	DISC	1166	2985
NC Phase11(DC)	4/92-1/95	4.0L 6 Cyl		DISC	DISC	1166	2985
		5.0L V8 Windsor		DISC	DISC	1166	2985
NF-NL (DF)	2/95-98	4.0L 6 Cyl		DISC	DISC	1166	2985
		5.0L V8 Windsor		DISC	DISC	1166	2985
AU	1/99-8/02		Non IRS	DISC	DISC	8021	2985
AU	1/99-8/02		IRS	DISC	DISC	8021	3175
▼ 2773 to 11/78, 2986 from 11/78							
FALCON							
XK, XL	1960-64	6 Cyl	Sedan			2734	2735
XK, XL	1960-64	6 Cyl	Station Wagon			2734	2736
XK, XL, XM, XP	1960-66	6 Cyl	Ute & Van			2734	2737
XM, XP	2/64-9/66	170 2786cc 6 Cyl		DRUM	DRUM	2734	2736
		200 3277cc 6 Cyl		DRUM	DRUM	2734	2736
XR	9/66-3/68	200 3277cc 6 Cyl		DRUM	DRUM	2738	2737
		289 4735cc V8 Windsor		DRUM	DRUM	2738	2737
XT	3/68-6/69	188 3080cc 6 Cyl		DRUM	DRUM	2738	2737
		221 3622cc 6 Cyl		DRUM	DRUM	2738	2737
		302 4942cc V8 Windsor		DRUM	DRUM	2738	2737
XW	6/69-11/70	188 3080cc 6 Cyl		DRUM	DRUM	2738	2737
		221 3622cc 6 Cyl		DRUM	DRUM	2738	2737
		302 4942cc V8 Windsor		DRUM	DRUM	2738	2737
		351 5766cc V8 Windsor		DRUM	DRUM	2738	2739
	11/70-3/72	200 3277cc 6 Cyl		DRUM	DRUM	2738	2737
		250 4089cc 6 Cyl		DRUM	DRUM	2738	2737
		302 4942cc V8		DRUM	DRUM	2738	
XY		351 5766cc V8 Cleveland		DRUM	DRUM	2738	2739
XA	3/72-10/73	200 3277cc 6 Cyl		DRUM	DRUM	2746	◆
		250 4089cc 6 Cyl		DRUM	DRUM	2746	◆
		302 4942cc V8 Cleveland		DRUM	DRUM	2746	◆
		351 5766cc V8 Cleveland		DRUM	DRUM	2746	◆
XB	11/73-7/76	200 3277cc 6 Cyl		DISC	DRUM	2746	◆
		250 4089cc 6 Cyl		DISC	DRUM	2746	◆
		302 4942cc V8 Cleveland		DISC	DRUM	2746	◆
		351 5766cc V8 Cleveland		DISC	DRUM	2746	◆

MODEL/SERIES	YEARS	ENGINE DETAILS	SPECIAL DATES/COMMENTS	BRAKES FRONT	BRAKES REAR	KIT FRONT	KIT REAR
FALCON (CONTINUED)							
XC	8/76-3/79	200 3273cc 6 Cyl		DISC	DSC/DRM	2746	◆
		250 4089cc 6 Cyl		DISC	DSC/DRM	2746	◆
		302 4942cc V8 Cleveland		DISC	DSC/DRM	2746	◆
		351 5766cc V8 Cleveland		DISC	DSC/DRM	2746	◆
XD	3/79-3/82	200 3273cc 6 Cyl		DISC	DSC/DRM	2746	+
		250 4089cc 6 Cyl		DISC	DSC/DRM	2746	+
		302 4942cc V8 Carby Cleveland		DISC	DSC/DRM	2746	+
		351 5766cc V8 Carby Cleveland		DISC	DSC/DRM		+
XE	3/82-9/84	200 3273cc 6 Cyl Alloy		DISC	DSC/DRM	2746	▼
		250 4089cc 6 Cyl Alloy		DISC	DSC/DRM	2746	▼
		351 5766cc V8 Carby Cleveland	to 3/83	DISC	DSC/DRM	2746	▼
XF	10/84-2/88	200 3273cc 6 Cyl		DISC	DSC/DRM	2746	▼
		250 4089cc 6 Cyl		DISC	DSC/DRM	2746	▼
EA - ED	3/88-8/94			DISC	DISC	1166	2985
XG - XH Ute/Van	4/93-98	4.0L 6 Cyl	LONGREACH	DISC	DISC	1166	2985
	8/94-98	4.0L 6 Cyl		DISC	DISC	1166	2985
		5.0L V8 Windsor		DISC	DISC	1166	2985
AU	1/99-8/02		Non IRS (W & W/O ABS)			8021	2985
AU	1/99-8/02		Inc IRS (W & W/O ABS)			8021	3175
AU	1/99-8/02		Ute (W & W/O ABS)			8021	3030
BA - BF	9/02-06/07	4.0L & 5.4L	Non IRS (Wagon) (ABS Standard)			8021	2985
BA - BF	9/02-06/07	4.0L & 5.4L	Inc IRS (Sedan) (ABS Standard)			8021	3227*
BA - BF	9/02-06/07	4.0L & 5.4L	Ute (W & W/O ABS)			8021	3030
◆ 2769 Rear Drum, 2773 Disc to 11/78, 2986 Disc 11/78 on + 2769 Rear Drum, 2986 Rear Disc							
▼ 2769 Rear Drum, 2981 Rear Disc * Kit 3227 Bearing only, Kit 3227C complete Hub & Bearing Kit - Includes Needle roller bearing.							
FESTIVA							
WA-WD	1991-97	1.3L	Requires matched spacer from dealer for installation.			1270	2710
WF	1998 on	1.3L	Requires matched spacer from dealer for installatio			1270	8013
KA							
	1997 on	4 Cyl				2772	7450
LASER							
KA	2/81-12/82	E3 1.3L 4 Cyl		DISC	DRUM	▼	2791
		E5 1.5L 4 Cyl		DISC	DRUM	▼	2791
KB	12/82-10/85	E3 1.3L 4 Cyl		DISC	DRUM	▼	2791
		E5 1.5L 4 Cyl		DISC	DRUM	▼	2791
KC	10/85-10/87	E3 1.3L 4 Cyl		DISC	DRUM	+	1251
		B6 1.6L 4 Cyl		DISC	DRUM	+	1251
KE	10/87-2/90	E3 1.3L 4 Cyl		DISC	DSC/DRM	+	1251
		B6T 1.6L 4 Cyl DOHC 16V EFI Turbo (TX3 2&4WD)		DISC	DSC/DRM	+	1179
		B6 1.6L 4 Cyl		DISC	DSC/DRM	+	1251
KC, KE	1985-90	1.3, 1.6L	Station Wagon 2WD			+	3090
KF, KH, KJ	1990-94	1.6, 1.8L	W/O ABS			1180	8009
KF, KH	4/90-7/93		4WD			1180	1180
KH, KJ, KL	1994 on		Excluding ABS			1180	8026
KH, KJ, KL	1994 on		ABS			1180	8058
▼ 2606 - Requires matched spacer from dealer for installation. + 1270 - Requires matched spacer from dealer for installation.							
MAVERICK							
DA	2/88-9/93	4.2L	Hardtop XLT			1276	
DA	2/88-9/93	4.2L	Full Float Disc Rear Station Wagon & Hardtop			1276	3100
DA	2/88-9/93	4.2L	Full Float Drum Rear Station Wagon & Hardtop			1276	3099
DA	2/88-9/93	4.2L	Rigid Axle Ute & Cab Chassis			1276	3099
METEOR							
GA	2/82-12/82	E5 1.5L 4 Cyl		DISC	DRUM	✘	2791
GB	12/82-10/85	E5 1.5L 4 Cyl		DISC	DRUM	✘	2791
GC	10/85-10/87	B6 1.6L 4 Cyl Carby		DISC	DRUM	+	1251
GC	10/85-10/87	1.6L	Station Wagon			+	3090
✘ 2606 - requires matched spacer from dealer for installation. + 1270 - requires matched spacer from dealer for installation.							

MODEL/SERIES	YEARS	ENGINE DETAILS	SPECIAL DATES/COMMENTS	BRAKES FRONT	BRAKES REAR	KIT FRONT	KIT REAR
MONDEO							
	1993-11/00	SEDAN	Exc. ABS			7451	7452
	1993-11/00	SEDAN	With ABS			7451	7453
	1993-12/97	WAGON				7451	7454
	12/97-11/00	WAGON				7451	7455
MUSTANG							
	64-66	6cyl		DRUM	DRUM	3135	3136
	64-66	8cyl	Exc. Boss Model	DRUM	DISC	3137	3138
	67-68	6 & 8cyl	Exc. WCY rear axle	DRUM	DISC	3137	3141
	69	8cyl	Inc. Boss model & WCY rear axle	DISC	DISC	3139	3140
PROBE							
	1994-98					1195	8010
RAIDER							
UV							
	1991 On	2.6L				3108	3091
Taurus							
	1996-2006					8066	
TELSTAR							
AR	5/83-8/85	FE 2.0L 4 Cyl		DISC	DRUM	2905	2906
AS	9/85-9/87	FE-T 2.0L 4 Cyl (inc. Turbo)		DISC	DRUM	2905	2906
AT, AV	10/87-1/92	2.0, 2.2L				1268	3086
AX, AY	1/92 on	2.0L				1195	8010
AX, AY	12/92 on	2.5L V6				1195	8010
TERRITORY							
SX, SY	05/04-06/07	4.0L	2WD only			8021	3227*
SX, SY	05/04-06/07	4.0L	AWD			8020	3227*
* Kit 3227 Bearing only or Kit 3227C complete hub & bearing kit – Includes Needle roller bearing.							
TRANSIT							
VG & VH	1998-2003	2.0i, 2.3i, 2.4DT, 2.5DT				7460	7461

HOLDEN							
ADVENTRA							
VY - VZ	9/03 - 1/06	V6 & V8 EFI	Inc. LH ABS & RH ABS - Inc IRS Rear			8143	3096*
APOLLO							
JK, JL	8/89-11/92	4 Cyl	Sedan & Wagon (Timken OE Rear)			1163	3174*
	11/92-97	4 & 6 Cyl	Sedan & Wagon (Timken OE Rear)			3157	3174*
* Some models may use 3103.							
ASTRA							
LB	8/84-3/86	E15 1.5L		DISC	DRUM	2864	2863
LC	4/86-6/87	E16S 1.6L		DISC	DRUM	2864	2863
LD	7/87-7/89	1.6, 1.8L				1263	3083
TR	96-98		FWD			2772	8028
TS	1998 on		Exc. ABS - Suits 4 stud			7773	7771
TS	1998 on		With ABS - Suits 4 stud			7774	7772
BARINA							
MB, ML	1985-1/89	1.3L				913	1234
MF, MH	1/89-4/94	1.3L				1181	3095
SB	1994-01					7755	2806
CALIBRA							
	1991-95	2.0L				2772	3156
	1996 on	6 Cyl				8028	3156
CAMIRA							
JB	8/82-10/84	L16 1.6L 4 Cyl		DISC	DRUM	2772	2771
JD	11/84-3/87	L16 1.6L 4 Cyl		DISC	DRUM	2772	2771
		LV6 1.8L 4 Cyl		DISC	DRUM	2772	2771
		LJ9 1.8L 4 Cyl		DISC	DRUM	2772	2771
JE	4/87-8/89	LE4 2.0L 4 Cyl		DISC	DRUM	2772	2771
COMMODORE							
VB	11/78-2/80	173 2838cc 6 Cyl		DISC	DRUM	2771	◆
		202 3298cc 6 Cyl		DISC	DRUM	2771	◆
		253 4142cc V8		DISC	DSC/DRM	2771	◆
		308 5044cc V8		DISC	DSC/DRM	2771	◆
VC		173 2838cc 6 Cyl		DISC	DSC/DRM	2771	◆

MODEL/SERIES	YEARS	ENGINE DETAILS	SPECIAL DATES/COMMENTS	BRAKES FRONT	BRAKES REAR	KIT FRONT	KIT REAR
COMMODORE (CONTINUED)							
		1X 2.0 4 Cyl		DISC	DSC/DRM	2771	2769
		202 3298cc 6 Cyl		DISC	DSC/DRM	2771	◆
		253 4142cc V8		DISC	DSC/DRM	2771	◆
		308 5044cc V8		DISC	DSC/DRM	2771	◆
VH	10/81-2/84	173 2838cc 6 Cyl		DISC	DSC/DRM	2771	◆
		1X 2.0L 4 Cyl		DISC	DSC/DRM	2771	2769
		202 3298cc 6 Cyl		DISC	DSC/DRM	2771	◆
		253 4142cc V8		DISC	DSC/DRM	2771	◆
		308 5044cc V8		DISC	DSC/DRM	2771	◆
VK	3/84-2/86	202 3298cc 6 Cyl		DISC	DSC/DRM	2771	◆
		308 5044cc V8		DISC	DSC/DRM	2771	◆
VL	1/86-8/88	RB30E 3.0 6 Cyl	NISSAN motor	DISC	DSC/DRM	2771	◆
		5.0L V8		DISC	DSC/DRM	2771	2985
VN	9/88-9/91	3.8L V6 EFI (EARLY EV6, FROM 2/90 HV6)		DISC	DSC/DRM	2771	+
	3/89-9/91	5.0L V8 EFI		DISC	DSC/DRM	2771	+
VG Ute	9/90-2/92	3.8L V6 EFI		DISC	DSC/DRM	2771	+
VP	10/91-7/93	3.8L V6 EFI		DISC	DISC	2771	▼
		5.0L V8 EFI		DISC	DISC	2771	▼
VR - VS	7/93-9/97	3.8L V6 EFI		DISC	DISC	8131	▼
VR - VS	7/93-9/97	5.0L V8 EFI		DISC	DISC	8132	▼
VR - VS	7/93-9/97	V6 & V8 EFI		DISC	DISC	8133	▼
VR - VS	7/93-9/97	V6 & V8 EFI		DISC	DISC	8134	▼
VR - VS	7/93-9/97	V6 & V8 EFI		DISC	DISC	8130	▼
VR-VS Ute	7/93-9/97	V6 & V8 EFI		DISC	DISC	8130	2985
VT Series I	9/97-4/99	V6 & V8 EFI		DISC	DISC	8135	3096*
VT Series I	9/97-4/99	V6 & V8 EFI		DISC	DISC	8136	3096*
VT Series I	9/97-4/99	V6 & V8 EFI		DISC	DISC	8137	3096*
VT Series II, VX, VY, VZ	4/99-07/06	V6 & V8 EFI		DISC	DISC	8140	3096*
VT Series II, VX, VY, VZ	4/99-07/06	V6 & V8 EFI		DISC	DISC	8141	3096*
VT Series II, VX, VY, VZ	4/99-07/06	V6 & V8 EFI		DISC	DISC	8142	3096*
VY - VZ 1 Tonne Ute	8/03-07/06	V6 & V8 EFI				8140	3032
VY - VZ 1 Tonne Ute	8/03-07/06	V6 & V8 EFI				8141	3032
VY - VZ 1 Tonne Ute	8/03-07/06	V6 & V8 EFI				8142	3032
◆ 2769 Rear Drum, 2985 Rear Disc + can use 1257 or 2985 Rear. ▼ can use 1257 or 2985 Rear excluding IRS, including IRS Rear 3096. *Note: Also available is KIT3096C which is the complete rear wheel kit with additional inner axle bearing.							
CREWMAN							
VY - VZ	8/03-07/06	V6 & V8 EFI	Non-ABS			8140	3032
VY - VZ	8/03-07/06	V6 & V8 EFI	Inc RH ABS			8141	3032
VY - VZ	8/03-07/06	V6 & V8 EFI	Inc LH ABS			8142	3032
CROSS 8							
VY - VZ	9/03-01/06	V6 & V8 EFI	Inc. LH & RH ABS - Inc IRS Rear			8143	3032
DROVER							
	1985-87	1.3L				2613	2797
FRONTERA							
	91-97		4 WD			1274	
GEMINI							
TX	3/75-2/77	G161Z 1.6L 4 Cyl		DISC	DRUM	2775	2742
TC	3/77-3/78	G161Z 1.6L 4 Cyl		DISC	DRUM	2775	2742
TD	4/78-9/79	G161Z 1.6L 4 Cyl		DISC	DRUM	2775	2769
TE	3/81-2/82	4FB1 1.8L Diesel 4 Cyl		DISC	DRUM	2775	3176
	10/79-2/82	G161Z 1.6L 4 Cyl		DISC	DRUM	2775	2769
TF	3/82-3/83	4FB1 1.8L Diesel 4 Cyl		DISC	DRUM	2775	3176
		G161Z 1.6L 4 Cyl		DISC	DRUM	2775	2769
TG	4/83-5/85	4FB1 1.8L Diesel 4 Cyl		DISC	DRUM	2775	3176
		G161Z 1.6L 4 Cyl		DISC	DRUM	2775	2769
RB	6/85-7/87	4XC1 1.5L 4 Cyl	F.W.D	DISC	DRUM	1157	3126
HOLDEN							
FX, FJ, FE	1948-57	6 Cyl	to Chassis 43428			2760	2762
FE, FC	1957-59	6 Cyl	from Chassis 43428			2761	2763
FB, EK	1959-62	6 Cyl				2761	2764

MODEL/SERIES	YEARS	ENGINE DETAILS	SPECIAL DATES/COMMENTS	BRAKES FRONT	BRAKES REAR	KIT FRONT	KIT REAR
HOLDEN (COTINUED)							
EJ, EH, HD, HR	1962-2/68	6 Cyl				2761	2765
HK, HT, HG	1968-71	6 & 8 Cyl				2761	2765
HQ - HJ	7/71-6/76	6 & 8 Cyl	Inc. Ute, exc 1 tonner	DRUM	DRUM	2761	2769
	7/71-6/76	6 & 8 Cyl		DISC	DRUM	2771	2769
	7/71-6/76	6 & 8 Cyl		DISC	DISC	2771	2985
	7/71-6/76	6 & 8 Cyl	Inc. 1 tonner Cab chassis	DISC	DISC	2771	3031
HX - HZ	7/76-12/80	6 & 8 Cyl	Inc. Ute, exc 1 tonner	DISC	DRUM	2771	2769
	7/76-12/80	6 & 8 Cyl	Inc. Ute, exc 1 tonner	DISC	DISC	2771	2985
	7/76-12/80	6 & 8 Cyl	Inc. 1 tonner Cab chassis	DISC	DISC	2771	3029
WB	4/80-12/85	6 & 8 Cyl	Exc. 1 Tonner	DISC	DRUM	2771	2769
	4/80-12/85	6 & 8 Cyl	Exc. 1 Tonner	DISC	DISC	2771	2985
	4/80-12/85	6 & 8 Cyl	Inc. 1 tonner Cab chassis	DISC	DISC	2771	3029
JACKAROO 4x4							
UBS 13/521/22	11/81-7/85	G200Z 2.0L 4 Cyl Carby	Petrol	DISC	DRUM	◆	1236
UBS 13/521/22	11/81-5/84	C223 2.2L 4 Cyl Diesel	Diesel	DISC	DRUM	1139	1236
UBS 13/521/22	5/84-6/88	C223 2.2L 4 Cyl Diesel	Diesel	DISC	DRUM	1159	1236
UBS52(Turbo Diesel)	7/84-6/88	C223T 2.2L 4 Cyl Diesel Turbo		DISC	DRUM	1159	3114
UBS16/52 (Petrol)	8/85-6/88	4ZD1 2.3L 4 Cyl Carby		DISC	DRUM	+	3114
UBS55(Turbo Diesel)	7/88-4/92	C4JB1-T 2.8L 4 Cyl Diesel Turbo		DISC	DRUM	1274	3097
UBS17	7/88-4/92	2.6L				1274	3097
UBS-L2	4/92-1/95	3.1, 3.2L				1274	
◆ 1139 Front to 6/84, 1159 Front 7/84 on + 1274 3/87 on, 1159 to 3/87.							
NOVA							
LE	7/89-7/91	1.6L			DISC	1278	3106
LF	8/91-8/94	1.6L				1278	3106
LF	8/91-8/94	1.8L				1278	
LG	9/94-4/97	1.6L				1278	
LG	9/94-4/97	1.8L	Excluding ABS			1278	3177
LG	9/94-6/95	1.8L	Including ABS			1278	
LG	7/95-4/97	1.8L	Including ABS			1278	
RODEO							
KB26	1/81-12/82	G161Z 1.6L 4 Cyl	2WD	DISC	DRUM	1138	1236
KB41	1/81-12/82	G161Z 1.6L 4 Cyl	4WD	DISC	DRUM	1139	1236
KBD26	1/81-12/82	C190 2.0L 4 Cyl Diesel	2WD	DISC	DRUM	1138	1236
KBD41	1/81-12/82	C190 2.0L 4 Cyl Diesel	4WD	DISC	DRUM	1139	1236
KB27	1/83-12/83	G180Z 1.8L 4 Cyl	2WD	DISC	DRUM	1138	1236
KB42	1/83-12/83	G180Z 1.8L 4 Cyl	4WD	DISC	DRUM	1139	1236
KBD27	1/83-12/83	C223 2.2L 4 Cyl Diesel	2WD	DISC	DRUM	1138	1236
KBD42	1/83-12/83	C223 2.2L 4 Cyl Diesel	4WD	DISC	DRUM	1139	1236
KB28, 43	1/84-3/87	G200Z 2.0L 4 Cyl		DISC	DRUM	✱	3097
KB28, 44, 49, KBD28, 43	2/84-2/87	2.2, 2.3L	2WD			1138	1236
KB28, 44, 49, KBD28, 43	3/87-6/88	2.2, 2.3L	2WD			1135	3097
KB28, 44, 49, KBD28, 43	2/84-6/84	2.2, 2.3L	2WD			1159	3097
KBD 28,43	7/85-6/88	4ZD1 2.2L 4 Cyl		DISC	DRUM	+	+
KBD 28,43	1/84-6/88	C223 2.2L 4 Cyl Diesel		DISC	DRUM	+	+
AII	7/88-2003		2WD - Inc Rear LSD			1182	3122
AII	7/88-1/98		2WD - Exc Rear LSD			1182	1236
AII	2/98-2007		2WD & 4WD - Inc Rear LSD			1274	3122
AII	2/98-2007		2WD & 4WD - Exc Rear LSD			1274	1236
✱ 1138 Front 2WD, 1159 Front 4WD, 1135 Front 3/87 on + 1138 Front 2WD, 1159 Front 4WD, 1135 Front 3/87 on, 1236 Rear 2WD to 2/87							
SCURRY							
	1985-88	1.0L				2615	2797
SHUTTLE							
WFR11-51	3/82-3/87	1.8, 2.0L				1137	1236
	4/87-12/91	2.0L	not Diesel				3114
STATESMAN & CAPRICE							
HQ, HJ, HX, HZ	1971-12/80	V8				2771	2769
WB	4/80-12/85	V8				2771	2985
VQ Series 11	3/90-7/93	3.8L V6 & 5.0L V8	IRS Rear	DISC	DISC	2771	3096*
VR-VS	7/93-9/97	3.8L V6 & 5.0L V8	IRS Rear + Inc. ABS LH	DISC	DISC	8133	3096*

MODEL/SERIES	YEARS	ENGINE DETAILS	SPECIAL DATES/COMMENTS	BRAKES FRONT	BRAKES REAR	KIT FRONT	KIT REAR
STATESMAN & CAPRICE (COTINUED)							
VR-VS	7/93-9/97	3.8L V6 & 5.0L V8	IRS Rear + Inc. ABS RH	DISC	DISC	8134	3096*
VS Series 3	9/97-4/99	V6 & V8 EFI	Inc. LH ABS (Grey cap)	DISC	DISC	8136	3096*
VS Series 3	9/97-4/99	V6 & V8 EFI	Inc. RH ABS (Grey cap)	DISC	DISC	8137	3096*
WH - WL	4/99-08/06	V6 & V8 EFI	Inc. RH ABS	DISC	DISC	8141	3096*
WH - WL	4/99-08/06	V6 & V8 EFI	Inc. LH ABS	DISC	DISC	8142	3096*
*Note: Also available is KIT3096C which is the complete rear wheel kit with additional inner axle bearing.							
SUBURBAN							
	1996-7/00	1500	4WD right Sensor Pac (ABS)			3168	
	1996-7/00	1500	4WD left Sensor Pac (ABS)			3171	
	1996-7/00	2500	4WD right Sensor Pac (ABS)			3168	
	1996-7/00	2500	4WD left Sensor Pac (ABS)			3171	
	1996-7/00	3500	4WD right Sensor Pac (ABS)			3168	
	1996-7/00	3500	4WD left Sensor Pac (ABS)			3171	
SUNBIRD							
LX	11/76-2/78	OPEL 1897cc 4 Cyl		DISC	DRUM	2771	2769
UC	3/78-12/80	OPEL 1897cc 4 Cyl	To 9/78	DISC	DRUM	2771	2769
		1X Starfire 1892cc 4 Cyl	9/78-12/80	DISC	DRUM	2771	2769
TORANA							
HA, HB	1967-12/69	4 Cyl				★	2742
LC	1/70-2/72	1200cc 4 Cyl		DSC/DRM	DRUM	★	2742
		138 2262cc 6 Cyl		DSC/DRM	DRUM	★	2765
		161 2638cc 6 Cyl		DSC/DRM	DRUM	♣	2765
		173 2835cc 6 Cyl		DSC/DRM	DRUM	♣	2765
LJ	2/72-3/74	1300 4 Cyl		DSC/DRM	DRUM	♣	2742
		1600 4 Cyl		DSC/DRM	DRUM	★	2742
		138 2262cc 6 Cyl		DSC/DRM	DRUM	♣	2765
		173 2835cc 6 Cyl		DSC/DRM	DRUM	♣	2765
		202 3298cc 6 Cyl		DSC/DRM	DRUM	♣	2742
TA	3/74-3/75	1300 4 Cyl		DSC/DRM	DRUM	★	2769
LH	3/74-2/76	173 2835cc 6 Cyl		DSC/DRM	DRUM	♣	2769
		OPEL 1897cc 4 Cyl		DSC/DRM	DRUM	♣	2769
		202 3298cc 6 Cyl		DSC/DRM	DRUM	♣	2769
		253 4146cc V8		DSC/DRM	DRUM	♣	2769
		308 5047cc V8		DISC	DRUM	2771	2769
LX	3/76-2/78	173 2835cc 6 Cyl		DSC/DRM	DRUM	♣	2769
		OPEL 1897cc 4 Cyl		DSC/DRM	DRUM	♣	2769
		202 3298cc 6 Cyl		DSC/DRM	DRUM	♣	2769
		253 4146cc V8		DSC/DRM	DRUM	2771	2769
		308 5047cc V8		DSC/DRM	DRUM	2771	2769
UC	3/78-9/79	173 2835cc 6 Cyl		DISC	DRUM	2771	2769
		202 3298cc 6 Cyl		DISC	DRUM	2771	2769
★ 2766 Front Drum, 2768 Front Disc ♣ 2761 Front Drum, 2771 Front Disc							
VECTRA							
SJ	1997 on					7756	
ZAFIRA							
	1999 on		Exc. ABS			7764	7766
	1999 on		With ABS			7765	7767
HONDA							
ACCORD							
SJ	3/77-12/78	EF,EG, 1.6L 4 Cyl		DISC	DRUM	2607	2792
SV, SY	1/79-12/83	EL,BL, 1.6L 4 Cyl		DISC	DRUM	1140	2793
AD, SM	1/84-12/85	ET, 1.8L 12V 4 Cyl		DISC	DRUM	1272	2793
AD, SM	1/84-12/85	1.8L		DISC	DISC	1271	
	11/89-10/93	2.2L		DISC	DISC		8011
CB, CD, CE	11/89-97	2.2L	ABS	DISC	DISC	3197	8036
CB, CD, CE	11/89-97	2.2L	Non - ABS	DISC	DISC	3197	8035
CIVIC							
SB	1976-79	1.2L				2607	
AH, AK	1973-78	1.5L				2607	
	11/79-12/83	EJ,EN 1.3L 4 Cyl		DISC	DRUM	1140	◆

MODEL/SERIES	YEARS	ENGINE DETAILS	SPECIAL DATES/COMMENTS	BRAKES FRONT	BRAKES REAR	KIT FRONT	KIT REAR
CIVIC (CONTINUED)							
	late 84-89	1.5L			DRUM	1267	8012
	11/87-10/93	1.5L	GL Sedan & Hatch		DISC		8011
	1995-2000						8073
❖ 2792 Rear PA & JHM, 2793 except PA & JHM Models							
CONCERTO							
	1989-93	1.6L				1267	
CRV							
	10/97-2001					3213	3214
	2002-2006					3213	
CRX							
	11/87-5/92	1.6L				1267	
INTEGRA							
	5/86-5/89	1.6L				1267	
	1990-2001						8073
JAZZ							
	2002-2006						8075
	2007-2008					3245	8075
PRELUDE							
SN	5/79-12/82	EL,BL, 1.6L 4 Cyl	to Chassis 1,100,000 from Chassis 1,100,001	DISC	DRUM		2793
			with Auto Trans.			1140	2793
AB	1/83-12/85	ET, 1.8L 4 Cyl		DISC	DRUM	1271	2793
HUMMER							
H1							
	2003-2008					8077	
H2							
	2003-2008					8077	
HYUNDAI							
ACCENT							
	2000 on	LC	Exc. ABS			7759	7760
	2000 on	LC	With ABS			7759	7761
ELANTRA							
	1990-1995	1500-1600				7762	7763
	1996-2001	1.8 or 2.0 ltr	Inc ABS			8070	8071
	1996-2001	1.8 or 2.0 ltr	Exc ABS			8070	72
EXCEL							
EXCEL X1, X2	2/86-12/89	G4AJ 1.5L 4 Cyl Carby		DISC	DRUM	1131	2960
EXCEL X2, X3	1990-94	1.5L				1131	1279
	1/95-5/96						8002
	6/96 on					8029	8001
LANTRA							
	5/91-10/92	1.6L				1131	1279
	6/96 on		Sedan including ABS			8029	8001
	6/96 on		Sedan including ABS			8029	8005
	6/96 on		Wagon including ABS			8029	8004
	6/96 on		Wagon including ABS			8029	8005
SONATA							
	3/89-10/93	2.4, 3.0L	Sedan, Early Model			1134	1290
	11/93-4/98		Sedan, excluding ABS			1134	8007
	11/93-4/98		Sedan, including ABS			1134	8006
EF	5/98- 2/01		Non ABS			7757	8053
EF	5/98-12/01		Inc ABS			7757	8054
S COUPE							
	7/90-10/92	1.5L				1131	1279
SFX							
	6/96-99					8029	8001
Tiburón							
	1996-2001					8070	8072

MODEL/SERIES	YEARS	ENGINE DETAILS	SPECIAL DATES/COMMENTS	BRAKES FRONT	BRAKES REAR	KIT FRONT	KIT REAR
ISUZU							
KB10, KB20	1974-81	1.6L	with Front Drum Brakes			1135	1236
KB10, KB20	1974-81	1.6L	with Front Disc Brakes			1138	1236
KB	1974-81	1.6L	4 WD			1139	1236
MU	91-97		4 WD			1274	1275
JEEP							
CHEROKEE							
	1994-98		FWB Hub assembly			8040	8041
	1994-98		Damaged rear axle repair bearing				8042
XJ	1999		FWB Hub assembly Inc composite disc			8043	8041
	2000-2001		Inc Cast Disc			8078	8041
KJ	06/2001-03		Right Hand Front Hub Unit			8047	8044
			Left Hand Front Hub Unit			8048	8044
GRAND CHEROKEE							
	1994-97		FWB Hub assembly			8040	8046
WJ	1998-2002		FWB Hub assembly			8045	8044
WRANGLER							
TJ	1997-1999		FWB Hub assembly			8040	8046
	2000-2006					8078	8046
KIA							
CARNIVAL							
	2002 on	4 Cyl				2305	
MENTOR							
	1997 on	4 Cyl				1180	8055
PREGIO							
	2002 on	4 Cyl				2301	2302
SORENTO							
	2003 on	6 Cyl				2306	
Sportage							
	1997-2003	4 Cyl	4WD			3108	2304
LADA							
NIVA							
	7/83-9/92	1.6L				3117	3177
SAMARA							
	1988-91		Front Wheel Drive			3178	3179
LANCIA							
BETA							
	1972-84					7412	7412
LANDROVER - SEE ROVER							
LEXUS							
RX330							
	2004-2009					3246	
RX350							
	2004-2009					3246	
RX400H							
	2006-2009					3246	
LEYLAND							
MARINA							
	1972-75	4 & 6 Cyl				2788	2742
P76							
	1972-75	6 & 8 Cyl				2837	2769

MODEL/SERIES	YEARS	ENGINE DETAILS	SPECIAL DATES/COMMENTS	BRAKES FRONT	BRAKES REAR	KIT FRONT	KIT REAR
MAZDA							
121							
	1976-79	1.8L				2837	2857
	1978-80	2.0L				2856	1239
DR	1987-91	1.3L				●	1285
DB	11/90-00	1.3L	Disc brake rear			●	8013
● 1270 - requires matched spacer from dealer for installation.							
3							
BK10F1 - BK1031	2004-2008		Non MPS - Inc ABS			8080	8082
BK10F1 - BK1031	2004-2009		Non MPS - Exc ABS			8081	8083
323							
	1/77-12/81	TC 1.3L 4 Cyl	Rear Wheel Drive	DISC	DRUM	2608	2855
		UC 1.4L 4 Cyl	Rear Wheel Drive	DISC	DRUM	2608	2855
		D5 1.5L 4 Cyl	Rear Wheel Drive	DISC	DRUM	2608	2855
	12/81-9/85	1.5L	Van			2608	1237
	10/89-8/94	1.6, 1.8L	Front Wheel Drive			1180	8009
	10/80-9/85	E3 1.3L 4 Cyl	Front Wheel Drive	DISC	DRUM	▼	◆
		E5 1.5L 4 Cyl		DISC	DRUM	▼	◆
Series 1 & 2	10/85-9/89	B6 1.6L 4 Cyl		DISC	DRUM	●	+
		B6 1.6L 4 Cyl SOHC 8V EFI (Inc Turbo)		DISC	DRUM	●	1251
	10/87-8/89	B6T Series 2 1.6L DOHC 16V 4 Cyl EFI Turbo	4WD	DISC	DRUM	✱	✱
◆ 2791 Rear to 10/84, 1251 Rear 10/84 on ▼ 2606 - requires matched spacer from dealer for installation.							
● 1270 - requires matched spacer from dealer for installation. + 1251 rear sedan & hatch. ✱ 1179 - requires matched spacer from dealer for installation.							
6							
	2002-2006		Non MPS - Inc ABS			3247	8084
	2002-2006		Non MPS - Exc ABS			3247	8085
626							
	1978-81	2.0L	Rear Wheel Drive			2856	2855
	1981-2/83	2.0L	Rear Wheel Drive			2856	1237
GC Series	2/83-10/87	FE 2.0L 4 Cyl Carby		DISC	DRUM	2905	2906
	1/86-10/87	FE-T 2.0L 4 Cyl Turbo EFI		DISC	DRUM	2905	2906
	10/87-8/91	2.2L	Front Wheel Drive except Wagon			1268	3086
	10/87-8/91	2.2L	Front Wheel Drive Wagon			1268	3181
GE	9/91-9/97	2.0, 2.5L	Front Wheel Drive			1195	8010
GF	10/97-2002	2.0, 2.5L	Front Wheel Drive			1195	8059
808							
	3/72-6/77	TC 1.3L 4 Cyl				2853	2855
929							
	1973-78	1.8L	except 929L Station Wagon			2856	2857
	1978-81	2.0L	except 929L Station Wagon			2856	1239
	1973-81	1.8, 2.0L	929L Station Wagon			2856	1238
	1982-87	2.0L	Sedan & Hardtop			1143	2905
	1982-87	2.0L	Station Wagon			2856	1239
	2/87-4/91	3.0L	Sedan			1190	1284
	4/91-1997		ABS and 4WS			1195	3198
1000, 1200							
Sedan	1967-71	1.0, 1.2L				2852	2855
1300							
	7/70 -2/77	TC 1.3L 4 Cyl				2853	2855
FA3T models	1973-77	1.3L				2608	2855
1600							
Capella	10/70-12/78	NA 1.6L 4 Cyl				2853	2855
ASTINA							
BL, BN	10/2000 on	1.8L	Inc. ABS			3142	8060
B SER.							
B1600	1/71-12/78	NA 1.6L 4 Cyl		DRUM	DRUM	2850	3062
B1800	1/79-11/82	VC 1.8L 4 Cyl		DRUM	DRUM	2850	3062
B2000	12/82-5/85	MA 2.0L 4 Cyl		DISC	DRUM	2850	3062
B2000	2/85-7/88	2.0L	to Chassis No. 511414			1132	3062
B2000	2/85-7/88	2.0L	from Chassis No. 511415-514432			1132	3091
B2200 (Diesel)	1/81-5/85	S2 2.2L 4 Cyl Diesel		DISC	DRUM	2850	3062

MODEL/SERIES	YEARS	ENGINE DETAILS	SPECIAL DATES/COMMENTS	BRAKES FRONT	BRAKES REAR	KIT FRONT	KIT REAR
B SER. (CONTINUED)							
B2200 (Diesel)	6/85-11/89	2.2L	to Chassis No. 503799			1132	3062
B2200 (Diesel)	6/85-11/89	2.2L	from Chassis No. 503800-505051			1132	3091
B2200 (Diesel)	11/89-10/91	2.2L				1132	3092
B2200 (Petrol)	3/88-10/91	F2, 2.2L 4 Cyl		DISC	DRUM	1132	3092
B2600 & BRAVO B2600	1987 on	2.6L	4WD			3108	3092
BRAVO B2200 (Diesel)	10/91 on	2.2L					3092
CX7							
	2007-2008					3246	
CX9							
	2007-2008					CX93246	
E SER.							
E1300	1/78-12/80	TC 1.3L 4 Cyl		DRUM	DRUM	3041	1231
E1600	1/79-12/83	NA 1.6L 4 Cyl		DRUM	DRUM	3041	1231
E1400	1/80-12/83	UC 1.4L 4 Cyl		DSC/DRM	DRUM	★	★
E2200 (Diesel)	3/80-12/83	S2 2.2L 4 Cyl Diesel		DRUM	DRUM	3041	
E1400	1/84-7/86	D5 1.5L 4 Cyl		DISC	DRUM	1160	1239
E2000	2/84 on	FE 2.0L 4 Cyl		DISC	DRUM	♣	♥
E2200 (Diesel)	2/84 on	R2 2.2L 4 Cyl Diesel		DISC	DRUM	♣	♥
E1800	4/84-1/88	F8 1.8L 4 Cyl		DISC	DRUM	♣	♥
E1800	11/90 on	F8 1.8L 4 Cyl		DISC	DRUM	♣	♥
★ 1231 Rear 4 Wheel Drum, 3041 Front Drum, 1160 Front Disc ♣ 1132 Front 2WD except Short Wheel Base, 1160 Front SWB 2WD ♥ 1239 for Single Rear Wheel only - no kit for Dual Rear Wheels.							
MX5							
	7/89-12/99	1.6L	(Inc Miata)			8013	1180
MX6							
	87-92	2.2, 2.5L	2 wheel steer			1268	3086
	87-92	2.2, 2.5L	4 wheel steer			1268	3181
	92-97	2.2, 2.5L				1195	8010
PROTÉGÉ							
BL, BN	10/2000 on	1.8L	Inc. ABS			3142	8060
R100							
	1966-72					2852	
RX2, RX3							
	1970-76					2853	2855
RX4							
	to 1973		Inc. LA22			2853	2857
	1973-77		Exc. LA22			2856	2857
RX5							
	1976-10/78					2837	2857
	10/78-6/79					2856	2857
RX7							
	3/79-11/83		to Chassis No. 563260			1174	2855
	3/79-11/83		from Chassis No. 563260			1174	1237
	11/83-10/85					3180	1239
	10/85-6/87					3180	3184
	7/87-92					3183	3184
	3/92 on					8010	3198
Tribute							
	2001-2008					8079	

MODEL/SERIES	YEARS	ENGINE DETAILS	SPECIAL DATES/COMMENTS	BRAKES FRONT	BRAKES REAR	KIT FRONT	KIT REAR
MERCEDES							
190							
	1983-93	W201	Ch.->3512			7503	7504
	1983-93	W201	Ch.3513->			7508	7504
190 E							
	1984-88	W201 2.3 16V, 2.5 16V				7505	7504
220, 220D							
	1968-76	115				7500	7501
220 E							
	1993 on	W124				7505	7504
230							
	1973-76	114/115				7500	7501
	1976-85	123	Exc. ABS			7502	7501
	1980-85	123	With ABS			7507	7501
230 E							
	1986-93	W124				7505	7504
230 GE							
	To 1982	4X4	Axle.->7000560			7517	7518
	1982-93	4X4	Axle.7000561->			7501	7518
	1990 on	4X4	Axle.703305			7521	7518
230 TE							
	1986-93	T124				7505	7506
240 D							
	1974-76	115 (Inc. 3.0)				7500	7501
	1976-85	123	Exc. ABS			7502	7501
	1980-85	123	With ABS			7507	7501
250							
	1968-76	114				7500	7501
	1976-85	123	Exc. ABS			7502	7501
	1980-85	123	With ABS			7507	7501
260 E							
	1985-93	W124	Exc. 4 Speed Auto.			7505	7504
	1987-93	W124 (4-MATIC)	4 Speed Auto.			7509	7504
280 C-CE-E							
	1972-76	114				7500	7501
280 CE-E-TE							
	1976-85	123 Inc. COUPE	Exc. ABS			7502	7501
	1980-85	123 Inc. COUPE	With ABS			7507	7501
280 S-SE-SEL							
	1973-76	116				7502	7501
	1980-85	W126	With ABS			7502	7501
280 SL-SLC							
	1975-85	R107, C107				7500	7501
300							
	1985-94	C124, W124	Exc. 4 Speed Auto.			7505*	7504
	1987-93	W124 (4-MATIC)	4 Speed Auto.			7509	7504
	1986-93	T124	Exc. 4 Speed Auto.			7505	7506
	1987-93	T124 (4-MATIC)	4 Speed Auto.			7509	7506
	1991-93	W140				7511	7512
* C124 CABRIOLET USE 7510							
300D, 300TD							
	1976-85	123	Exc. ABS			7502	7501
	1980-85	123	With ABS			7507	7501
300 GD							
	1979-82	4X4	Axle.->7000560			7517	7518
	1982-93	4X4	Axle.7000561->			7501	7518
	1990-93	4X4	Axle.703305			7521	7518
300 SE-SEL							
	1986-92	W126	Exc. ABS			7502	7501
	1986-92	W126	With ABS			7507	7501

MODEL/SERIES	YEARS	ENGINE DETAILS	SPECIAL DATES/COMMENTS	BRAKES FRONT	BRAKES REAR	KIT FRONT	KIT REAR
320 CE-E							
	1993 on	W124 (Inc. C124 COUPE)	Exc. CABRIOLET			7505	7504
320 E							
	1993 on	C124 CABRIOLET				7510	7504
350 SE-SEL							
	1975-80					7502	7501
350 SL-SLC							
	1971-85	R107, C107				7500	7501
380 SE-SEL							
	1980-85	W126	Exc. ABS			7502	7501
	1980-85	W126	With ABS			7507	7501
380 SL-SLC							
	1980-85	R107,C107				7500	7501
400 SL-SEL							
	1991-93	W140				7511	7512
420 SE-SEL							
	1986-92	W126				7507	7501
450 SL-SLC							
	1973-85	R107, C107				7500	7501
500 SE-SEC-SEL							
	1991-93	W140, C140 COUPE				7511	7512
500 SL							
	1989-93	R129				7510	7504
560 SE-SEC-SEL							
	1986-92	W126, C126 COUPE				7507	7501
600 SE-SEC-SEL							
	1991-93	W140, C140 COUPE (V12)				7511	7512
600 SL							
	1989-93	R129				7510	7504
A CLASS							
	1997 on	W168	A140-160			7514	7515
C CLASS							
	1993-00	W202, T202	C180-280			7510	7504
CL420-600							
	1997 on	C140 COUPE				7511	7512
CLK200-430							
	1997 on	C208				7510	7504
E200-420							
	1994-96	W124, C124 COUPE & CABRIOLET				7505	7504
	1996 on	W210, T210				7510	7504
E220							
	1994-96	W124, C124 COUPE & CABRIOLET				7505	7504
E230, 240, 270							
	1994 on	W210				7510	7504
E280							
	1994-95	W124	Exc.LWB			7510	7506
	1994-95	W124 LWB	LWB			7505	7504
	1996 on	W210 4-MATIC	4 Speed Auto.			7510	7504
	1997-98	T210 4-MATIC	4 Speed Auto.			7513	7512
E300 D-TD							
	1994-95	W124				7505	7504
	1996 on	W210 4-MATIC	4 Speed Auto.			7510	7504
	1997-98	T210 4-MATIC	4 Speed Auto.			7513	7512
E320							
	1994-96	W124, C124 COUPE				7505	7504
	1994-96	C124 CABRIOLET				7510	7504
	1996 on	W210 4-MATIC	4 Speed Auto.			7510	7504
	1997-98	T210 4-MATIC	4 Speed Auto.			7513	7512
MB100, 140							
	1990 - 1996					7519	7520

MODEL/SERIES	YEARS	ENGINE DETAILS	SPECIAL DATES/COMMENTS	BRAKES FRONT	BRAKES REAR	KIT FRONT	KIT REAR
ML230-320							
	1998 on	W163				7516	7516
S CLASS							
	1994-98	W140				7511	7512
SL280-600							
	1994-98	R129				7510	7504
SLK200-230							
	1996 on	R170				7510	7504
SPRINTER							
	1995-98	308D, 312D				7523	7524
	1996 on	412D	Dual Rear Wheels			7523	7522
VITO							
	1996-2001	108-114, 200-208				7525	7525

MINI							
Cooper & Cooper S							
	2002 on					3222	

MITSUBISHI							
380							
	2005-2008	3.8 ltr				8086	
Challenger							
PA	1997 on	3.0 L				1136	3185
COLT							
RA, RB, RC, RD, RE	11/80-6/90	G12B 1.4L 4G12 4 Cyl Orion		DISC	DRUM	2610	2960
		G32B 1.6L 4 Cyl Saturn		DISC	DRUM	2610	2960
		4G33B 1.4L 4 Cyl Saturn		DISC	DRUM	2610	2960
CORDIA							
AA	4/83-7/89	G32B 1.6L 4 Cyl Saturn				1131	2960
		4G62 1.8L Turbo 4 Cyl				1131	2960
L200 EXPRESS UTE							
MA	5/79-9/81	G32B 1.6L 4 Cyl Saturn	2WD	DISC	DRUM	3072	3073
		4G52 2.0L 4 Cyl Astron	4WD	DISC	DRUM	1136	3073
MB	10/81-9/82	G32B 1.6L 4 Cyl Saturn	2WD	DISC	DRUM	3072	1233
		4G52 2.0L 4 Cyl Astron	2WD	DISC	DRUM	3072	1233
		4G52 2.0L 4 Cyl Astron	4WD	DISC	DRUM	1136	1233
MC	10/82-8/84	G32B 1.6L 4 Cyl Saturn	2WD	DISC	DRUM	3072	1233
		4G63 2.0L 4 Cyl Sirius	2WD	DISC	DRUM	3072	1233
		4G63 2.0L 4 Cyl Sirius	4WD	DISC	DRUM	1136	1233
		D55 2.4L 4 Cyl Diesel	2WD	DISC	DRUM	3072	1233
		D55 2.4L 4 Cyl Diesel	4WD	DISC	DRUM	1136	1233
MD	9/84-10/86	4G63 2.0L 4 Cyl Sirius	2WD	DISC	DRUM	3072	1233
		4G63 2.0L 4 Cyl Sirius	4WD	DISC	DRUM	1136	1233
		D55 2.4L 4 Cyl Diesel	4WD	DISC	DRUM	1136	1233
L300 EXPRESS VAN							
SA	4/80-10/81	G32B 1.6L 4 Cyl Saturn	RW.D	DISC	DRUM	3072	2714
SB	11/81-4/83	G32B 1.6L 4 Cyl Saturn	RW.D	DISC	DRUM	3072	1235
		4G62 1.8L 4 Cyl Sirius	RW.D 10/82 - 5/83	DISC	DRUM	3072	1235
SC	5/83-7/84	G32B 1.6L 4 Cyl Saturn	RW.D	DISC	DRUM	3072	1235
		4G62 1.8L 4 Cyl Sirius	2WD	DISC	DRUM	3072	1235
SD	8/84-5/85	G32B 1.6L 4 Cyl Saturn	2WD	DISC	DRUM	3072	1235
		4G63 2.0L 4 Cyl Sirius	2WD	DISC	DRUM	3072	1235
		4G63 2.0L 4 Cyl Sirius	4WD	DISC	DRUM	1136	1235
		4G62 1.8L 4 Cyl Sirius	2WD	DISC	DRUM	3072	1235
SE	6/85-9/86	G32B 1.6L 4 Cyl Saturn	2WD	DISC	DRUM	3072	1235
		4G63 2.0L 4 Cyl Sirius	2WD	DISC	DRUM	3072	1235
		4G63 2.0L 4 Cyl Sirius	4WD	DISC	DRUM	1136	1235
SF	10/86-8/90	4G63 2.0L 4 Cyl Sirius	2WD	DISC	DRUM	3072	1235
		4G64 2.4L SOHC 4 Cyl EFI	2WD	DISC	DRUM	3072	1235
		4G64 2.4L SOHC 4 Cyl EFI	4WD	DISC	DRUM	1136	1235
SG	9/90-8/91	4G63 2.0L 4 Cyl Sirius	2WD	DISC	DRUM	3072	1235
		4G64 2.4L SOHC 4 Cyl EFI	2WD	DISC	DRUM	3072	1235

MODEL/SERIES	YEARS	ENGINE DETAILS	SPECIAL DATES/COMMENTS	BRAKES FRONT	BRAKES REAR	KIT FRONT	KIT REAR
L300 EXPRESS VAN (CONTINUED)							
SG (CONTINUED)							
	8/91-94	D56 2.5L 4 Cyl Diesel	2WD, not STARWAGON	DISC	DRUM	3072	3196
GALANT							
GB	11/72-6/74	4G33 1.4L 4 Cyl Saturn		DRUM	DRUM	2960	2881
		4G32 1.6L 4 Cyl Saturn	Sedan	DRUM	DRUM	2960	2881
		4G32 1.6L 4 Cyl Saturn	Station Wagon			2960	2887
GC, GD	7/74-12/77	1.6L	Sedan with Mitsubishi Axle			2960	2961
GC, GD	7/74-12/77	1.6L	Sedan with Borg Warner Axle			2960	2742
GC, GD	7/74-12/77	1.6L	Station Wagon & Coupe			2960	2714
	3/89-10/96		FWD, excluding VR4			1134	2960
	3/89-10/96		FWD, including VR4			1134	3195
LANCER							
LA	9/74-3/77	4G33 1.4L 4 Cyl Saturn				2960	2961
LB	4/77-4/79	4G33 1.4L 4 Cyl Saturn	Sedan			2960	2961
		4G32 1.6L 4 Cyl Saturn	Hatch			2960	2714
LC	5/79-8/81	G32B 1.6L 4 Cyl Saturn				2960	2714
CA, CB	1989-92	1.5L				1131	1288
CB	9/90-8/92	4G61 1.6L DOHC 16V 4 Cyl EFI (GSR)				1131	3127
CC	9/92-5/94	1.5, 1.6L	Hatchback			1131	1288
CC	9/92-7/96	1.5, 1.6L	Sedan/Coupe			3224	8057
CC	9/92-7/96	1.5, 1.6L	Wagon			3224	
CC	6/94-7/96	1.5, 1.6L	Hatchback			3224	8057
CE	8/96 - 2000		Exc. ABS			3224	8057
CE	8/96 - 2000		Inc. ABS			3173	8057
MAGNA							
TM	4/85-4/87	G54B 2.6L 4 Cyl				1134	2960
TN	4/87-6/89	G54B 2.6L 4 Cyl				1134	◆
TP	6/89-4/91	G54B 2.6L 4 Cyl				1134	◆
TR, TS	4/91-5/94	4 & 6 Cyl	Sedan, except Verada and Elite			3173	8030
TR, TS	4/91-5/94	4 & 6 Cyl	Wagon, except Verada and Elite			3173	8031
TR, TS	4/91-5/94	4 & 6 Cyl	Sedan, Verada and Elite only			3172	8030
TR, TS	4/91-5/94	4 & 6 Cyl	Wagon, Verada and Elite only			3172	8031
TE	6/94-5/97	4 & 6 Cyl	Inc Sedan & Wagon			3172	8030
TF, TH, TJ	6/97-6/03	4 & 6 Cyl	Inc Sedan & Wagon			3172	8171
◆ 2960 Rear Sedan, 2987 Rear Station Wagon							
NIMBUS							
UA	5/84-11/85	G37B 1.8L 4 Cyl Carby Saturn				1131	2960
UB	12/85-8/87	G37B 1.8L 4 Cyl Carby Saturn				1131	2960
UC	9/87-1/92	4G63 2.0L 4 Cyl Sirius Carby				1131	2960
Outlander							
	2003-2006	2.4ltr	4WD			8087	
	2007-2009	2.4ltr	4WD			8088	8089
	2007-2009	3ltr	4WD			8088	8090
PAJERO							
NA - NG	1/83-3/91					1136	1233
NH - NL	4/91-4/00				DISC	1136	3185
NH - NL	4/91-4/00				DRUM	1136	3186
NM - NP - NS	5/00-2008	3.2DT, 3.5i, 3.8i				8172	8173
SCORPION							
GE	3/78-6/79	4G52 2.0L 4 Cyl Astron				1144	2714
GH	7/79-10/80	4G54 2.6L 4 Cyl Astron Carby				1144	2714
GJ	11/80-1/82	4G54 2.6L 4 Cyl Astron Carby				1144	2714
GK	2/82-9/82	4G54 2.6L 4 Cyl Astron Carby				1144	2714
GL	10/82-9/85	4G54 2.6L 4 Cyl Astron Carby				1144	2714
SIGMA							
GE	10/77-5/80	G32 1.6L Saturn 4 Cyl	Rear Borg Warner axle		DRUM	2960	2769
	10/77-2/78	4G32 1.6L Saturn 4 Cyl To JA31	Mitsubishi axle		DRUM	2960	2714
	10/77-5/80	4G52 2.0L 4 Cyl Astron	Rear Borg Warner axle		DRUM	2960	2769
	10/77-5/80	4G54 2.6L 4 Cyl Astron Carby	Rear Borg Warner axle		DRUM	2987	2769
	2/78-5/80	4G51 1.9L 4 Cyl Astron	Rear Borg Warner axle		DRUM	2960	2769

MODEL/SERIES	YEARS	ENGINE DETAILS	SPECIAL DATES/COMMENTS	BRAKES FRONT	BRAKES REAR	KIT FRONT	KIT REAR
SIGMA (CONTINUED)							
GH	5/80-2/82	G32 1.6L Saturn 4 Cyl			DSC/DRM	2987	+
	5/80-2/82	4G52 2.0L 4 Cyl Astron			DSC/DRM	2987	+
	5/80-2/82	4G54 2.6L 4 Cyl Astron Carby			DSC/DRM	2987	+
GJ	3/82-3/84	G32 1.6L Saturn 4 Cyl			DSC/DRM	2987	+
	3/82-3/84	4G52 2.0L 4 Cyl Astron			DSC/DRM	2987	+
	3/82-3/84	4G54 2.6L 4 Cyl Astron Carby			DSC/DRM	2987	+
GK	3/84-7/85	G32 1.6L Saturn 4 Cyl			DSC/DRM	2987	+
	3/84-7/85	4G52 2.0L 4 Cyl Astron			DSC/DRM	2987	+
	3/84-7/85	4G54 2.6L 4 Cyl Astron Carby			DSC/DRM	2987	+
GN	7/85-10/85	4G52 2.0L 4 Cyl Astron			DRUM	2987	2769
	7/85-12/87	4G54 2.6L 4 Cyl Astron Carby			DRUM	2987	2769
+ 2769 Rear Drum, 1240 Rear Disc							
STARION							
JA, JB	1982-86	2.0L				1144	1232
JD	1986-87	2.0L				2987	1232
STARWAGON							
SF, SJ	10/86 on	2.0, 2.4, 2.5L	2WD			3072	
SF, SJ	10/86-5/90	2.0, 2.4, 2.5L	4WD			1136	1233
TRITON							
ME, MF	10/86-8/89		2WD			3072	1233
ME, MF	10/86-8/89		4WD			1136	1233
MG, MH, MJ, MK	9/89-2000		2WD			3072	3186
MG, MH, MJ, MK	9/89-2000		4WD			1136	3186
VERADA							
KR	4/91-94		Sedan			3173	8030
KR, KS	4/91-3/96		Wagon - Non ABS			3173	8031
KR, KS	4/91-3/96		Wagon - Inc ABS			3172	8056
KR, KS, KE.			Inc ABS			3172	8030
KF, KH, KJ	6/97-6/03	4 & 6 Cyl	Inc Sedan & Wagon			3172	8171
MORRIS							
MAJOR ELITE, MINOR 1000							
	1960-64	1.0, 1.5L				2780	
MINI 850, MINI K							
	1960-83	0.85, 1.1L	Ball Bearing Option			2782	2783
	1960-83	0.85, 1.1L	Heavy Duty Taper Option			2786	2787
1100, 1100S, 1300, 1500							
	1967-72	1.1,1.3, 1.5L	Ball bearing option			2784	2785
	1967-72	1.1,1.3, 1.5L	Heavy duty taper option			2786	2785
NISSAN							
120Y							
	3/74-3/79	A12 1.2L 4 Cyl	BTR Axle			▼	2742
	3/74-3/79	A12 1.2L 4 Cyl	Japanese Axle			▼	2848
▼ 2841 Front to 11/75, 2842 Front 12/75 on							
180B							
	72-10/77	L18 1.8L 4 Cyl	Sedan			★	2846
	72-10/77	L18 1.8L 4 Cyl	Coupe, Station Wagon			★	2848
★ 2837 Front except 11/73 to 8/74, 2842 Front 11/73 to 8/74							
180SX							
CA	1988-10/93	CA Engine				3201	8037
	11/93-98	SR20DE					8037
	11/93-98	SR20DT				8039	8037
200B							
	10/77-5/81	L20B 2.0L 4 Cyl	with Japanese Axle			2837	2848
	10/77-5/81	L20B 2.0L 4 Cyl	with Borg Warner Axle			2837	2769
	10/77-5/81	L20B 2.0L 4 Cyl	with Independant Rear Suspension			2837	2838
200SX							
	07/94-11/00	SR20DT				8039	8037
240C, 260C							
	1971-76	2.4, 2.6L				2843	

MODEL/SERIES	YEARS	ENGINE DETAILS	SPECIAL DATES/COMMENTS	BRAKES FRONT	BRAKES REAR	KIT FRONT	KIT REAR
260C, 280C, 300C							
	1976-84	2.6, 2.8, 3.0L					1149
240K							
	1972-78	2.4L				2837	2838
240Z, 260Z							
	1971-78	2.4, 2.6L				2837	1241
280ZX							
	1979-84	2.8L				2837	2838
300ZX							
	1984-9/86	3.0L				1145	▼
	9/86-10/89	3.0L				1168	
Z32	10/89-97	3.0L				3202	8037
▼ 1242 to 9/85							
620, 621							
Ute	1971-8/77	1.5L				2843	1243
Ute	8/77-79	1.5L				1149	1243
720							
	1/80-12/85	L18 1.8L 4 Cyl	2 & 4WD			♥	1243
	1/80-6/83	SD22 2.2L 4 Cyl Diesel	2 & 4WD			♥	1243
	6/83-12/85	SD23 2.3L 4 Cyl Diesel	2WD only			1149	1243
	7/83-12/85	SD25 2.5L 4 Cyl Diesel	2 & 4WD			♥	1243
	7/83-12/85	Z22 2.2L 4 Cyl	2 & 4WD			♥	1243
♥ 1149 Front 2WD, 1150 Front 4WD 9/79-3/83, 1151 Front 4WD 4/83-86							
1000							
	1967-70	1.0L				2841	2848
1200							
	1970-74	1.2L	with Borg Warner Axle			2841	2742
	1970-74	1.2L	with Japanese Axle			2841	2848
1600							
	1968-72	1.6L	Sedan			2842	2846
	1968-72	1.6L	Station Wagon			2842	2848
2000, 2300, 2400							
	1966-71	2.0, 2.3, 2.4L				2843	
B20, B120							
	1967-10/75	1.0, 1.2L	Ute			2841	2848
B120	11/75-85	1.2L	Ute			2842	2848
BLUEBIRD							
	1960-68	1.2, 1.3L				2840	
Series 1 & 2	5/81-4/85	L20B 2.0L 4 Cyl	Series 2 From 9/83			1145	2848
Series 3	4/85-6/86	CA20S 2.0L 4 Cyl				1145	2848
	93 on	4 Cyl	FWD			1178	8008
CABSTAR							
F22	1982-87	2.0, 2.5L				1149	3080
F22	1988-91	2.0, 2.5L				1161	3080
FAIRLADY							
	1963-65	1.5L				1145	
GAZELLE							
	1/84-2/85	CA20E 2.0L 4 Cyl SOHC 8V EFI	Rigid Axle			1145	2848
	2/85-7/86	CA20E 2.0L 4 Cyl SOHC 8V EFI	Independant Rear Suspension			1145	2848
HOMER							
	1972-4/78	2.0L				1148	2848
	4/78-81	2.0L				1149	2848
MAXIMA							
	2/90-11/94					1178	8008
	11/94-11/99					1178	
MICRA							
	1995-98					7758	8038
NAVARA							
FG021	1/86 on	Z20 2.0L 4 Cyl	2WD only			1161	+
NMD21,SGD21,SMD21,	1/86 on	Z24S 2.4L 4 Cyl	2 & 4WD			★	★
	1/93 on	KA24E 2.4L 4 CYL SOHC 12V EFI	Cab Chassis 4X2			3119	3124

MODEL/SERIES	YEARS	ENGINE DETAILS	SPECIAL DATES/COMMENTS	BRAKES FRONT	BRAKES REAR	KIT FRONT	KIT REAR
NAVARA (CONTINUED)							
JGD21FM	1/86-1/88	SD25 2.5L 4 Cyl Diesel	2 & 4WD			★	★
UJMD21,BMD21	2/88-5/92	TD27 2.7L 4 Cyl Diesel	4WD only			★	★
UJGD21	2/88-5/92	TD25 2.5L 4 Cyl Diesel	2WD only			★	★
UBMD21	6/92 on	TD27 2.7L 4 Cyl Diesel	4WD only			3119	3124
UHGD21,HGD21	6/92 on	VG30E 3.0L V6 12V MPFI	2WD only			3119	3124
★ 3124 Rear Cab Chassis ★ 1161 Front 2WD, 3119 front 4WD Cab Cassis & Dual Cab, 3124 Rear Cab chassis & Dual Cab							
NOMAD							
WSC22	12/86-10/92	Z24S 2.4L 4 Cyl				3118	2848
NXR	1990-1996					1183	8015
PATHFINDER							
WD21, T27	12/86-10/92	Z24S 2.4L 4 Cyl	4WD			3119	3124
WD21, T27, T27T	01/87-10/95	V6	4WD			3119	3199
R50	11/95-11/01	V6 SOHC				3119	3200
PATROL							
G60	1/70-12/79	P 4.0L 6 Cyl	with C216 Differential			3024	3077
G60	1/70-12/79	P 4.0L 6 Cyl	with H260 Heavy Duty Differential			3024	3078
MQ	1/80-12/87	P 4.0L 6 Cyl	with C200 Diifferential			3079	3080
MQ	1/80-12/87	P 4.0L 6 Cyl	with H233B or H260 Differential			3079	3081
GQ, GU	1988 on	3.0, 4.2L	Semi Floating Axle			1276	3099
GQ, GU	1988 on	3.0, 4.2L	Full Floating Axle with Discs			1276	3100
GQ, GU	1988 on	3.0, 4.2L	Full Floating Axle with Drums			1276	3099
PINTARA							
R.W.D. R12	6/86-12/90	CA20E 2.0L 4 CYL EFI				1168	2769
U12	11/89-10/92	2.0, 2.4L	FWD			1178	8008
PRAIRIE							
	1982-86	1.5L				2864	2863
PULSAR							
N10	10/80-9/81	A14 1.4L 4 Cyl				2864	2863
N10/N12	10/81-3/86	E13 1.3L 4 C	N10 TO 83, N12 From 83			▼ 2864	2863
		E15 1.5L 4 Cyl				2864	2863
EXA/ET, N12	10/83-7/87	E15ET 1.5Lc 4 Cyl EFI Turbo				2864	2863
N12	4/86-6/87	E16S 1.6L 4 Cyl				2864	2863
N13, KN13	7/87-9/91	1.6, 1.8L				1263	3083
N14	1990-95		GTI-R 4WD			1183	1183
N14	10/91-95	1.6, 2.0L				1183	8015
N15	95-2000		Exc ABS Rear			1183	8015
▼ 1146 - requires matched spacers from dealer for installation.							
SERENA							
	1992-96					3119	2848
SILVIA							
	1988-93	CA Engine				3201	8037
	1993-98	SR20DE, SR20DT					8037
SKYLINE							
R30	3/78-2/81	L24 2.4L 6 Cyl Carby				2837	2838
R30	3/81-7/86	L24 2.4L 6 Cyl EFI				1145	2838
R31	7/86-5/91	RB30E 3.0L 6 Cyl EFI				1168	2985
STANZA							
PA10	10/78-9/83	L16 1.6L 4 Cyl					2881
SSS	10/78-9/83	L16 1.6L 4 Cyl				2842	2848
★ 2842 Front Japanese to 7/79, 2837 Front Australian 7/79 on							
SUNNY							
	3/79-12/83	A12 1.2L 4 Cyl	Sedan, Coupe & Van			2842	2848
	3/79-10/80	A14 1.4L 4 Cyl	Station Wagon only			2842	2848
	10/80-10/81	A15 1.5L 4 Cyl	Station Wagon			2842	2848
Terrano							
	1988-10/95		4WD			3119	3199
	10/95-11/01		4WD			3119	3200
URVAN							
E23	9/80-82	J16 1.6L 4 Cyl				1149	1243

MODEL/SERIES	YEARS	ENGINE DETAILS	SPECIAL DATES/COMMENTS	BRAKES FRONT	BRAKES REAR	KIT FRONT	KIT REAR
URVAN (CONTINUED)							
E23	9/80-83	H20 2.0L 4 Cyl				1149	★
E23	9/80-8/82	SD22 2.2L 4 Cyl Diesel				1149	★
E23	9/82-86	Z20 2.0L 4 Cyl				1149	★
E23	9/82-2/87	SD23 2.3L 4 Cyl Diesel				1149	★
E24	5/87-9/93	TD27 2.7L 4 Cyl Diesel				1161	3124
E24	3/87-9/93	Z24S 2.4Lc 4 Cyl				1161	3124
★ 1243 Rear except Microbus which uses 1244.							
UTILITY							
XFN	7/88-9/90	250/4.1L 6 Cyl (Falcon)	with LSD			2746	2769
XFN	7/88-9/90	250/4.1L 6 Cyl (Falcon)	without LSD			2746	2981
VANETTE							
C20	7/82-10/84	A12 1.2L 4 Cyl				2837	2848
C120	5/83-11/86	A15 1.5L 4 Cyl				2837	2848
C22	12/8-9/93	Z20 2.0L 4 Cyl				3118	2848
X-TRAIL							
	2002-2007	2.5ltr & 2.0ltr diesel	4WD			3218	3219

PROTON							
M21							
	1997-2001					3224	8057
PERSONA							
	1996-8/99					3224	8057
SATRIA							
	1996-8/99					3224	8057
WIRA							
	1995-1997					3224	8057

PEUGEOT							
205 Gti							
	1987-94	1905CC	Exc. ABS			7615	7617
	1987-94	1905CC	With ABS			7615	7602
205 Si							
	1987-93	1580CC	Exc. ABS			7614	7600
	1987-93	1580CC	With ABS			7615	7602
206							
	1998 on	1.1, 1.4, 1.6 (TU)				7619	7607
	1998 on	2.0 16V Gti				7615	
306							
	1993-9/98		Exc. ABS Drum Brakes	Drum	Drum	7615	7600
	1993-6/95		With ABS Drum Brakes (Bosch)	Drum	Drum	7615	7626
	6/95-97		With ABS Drum Brakes (Bosch)	Drum	Drum	7615	7600
	1993-9/98	All (Inc. 2.0 DOHC 16V)	Inc. ABS Disc Brakes	Disc	Disc	7615	7602
	10/98-01	All				7615	7606
307							
	08/00 on	ALL				7621	7623
403							
	1959-66					7609	7610
404							
	1960-75					7609	7610
405							
	1987-97		Exc. ABS			7615	7604
	1987-97		With ABS (BENDIX)			7615	7625
	1987-97		With ABS (BOSCH)			7615	
406							
	1995-99		Exc. ABS			7615	7604
	1995-99		With ABS			7615	7625
	1999 on					7615	
504							
	1968-76		Ch.->2181356			7609	7612
	1976-85		Ch.2181357->			7611	7612
	1981 on	V6				7611	7613

MODEL/SERIES	YEARS	ENGINE DETAILS	SPECIAL DATES/COMMENTS	BRAKES FRONT	BRAKES REAR	KIT FRONT	KIT REAR
505	1981 on	SEDAN (Inc. V6)	Ch.121587->			7611	7613
	1981 on	WAGON (BREAK - FAMILIALE)				7611	
604	1975-80		Ch.->6640835			7611	7612
	1981-87		Ch.6640836->			7611	7613
605	1990-4/97		With ABS (BENDIX)			7601	7624
	5/97-98		With ABS (BENDIX)			7605	7624
	1990-4/97		With ABS (BOSCH)			7601	7618
	5/97-98		With ABS (BOSCH)			7605	7618
607	2000 on				7605	7620	

RENAULT							
CLIO II							
	1998 on	1.4, 1.4 16V, 1.6, 1.6 16V, 1.9D	Drum Brakes		DRUM	7705	7708
	1998 on	1.4, 1.4 16V, 1.6, 1.6 16V, 1.9D	Disc Brakes		DISC	7705	7706
FUEGO							
	1980-85	TL, GTL				7703	7707
	1980-84	TS, GTS, TX, GTX, Auto	Ch.->61220			7703	7700
	1985 on	TS, GTS, TX, GTX, Auto	Ch.61221->			7703	7704
LAGUNA							
	09/99 on		With ABS	DISC	DISC	7709	7710
MEGANE							
	09/99 on	SCENIC				7705	
VIRAGE							
	1978-80	Sedan				7701	7702
	1978-80	Wagon				7701	7700

SAAB							
9 3							
	1998-99		Ch.->X2028828			7807	7800
	1999-00		Ch.X2028829->			7813	7800
	2002-2004					3248	
9 5							
	1997-98					7807	7800
	1999		Ch.->X3025768			7807	7812
	1999-00		Ch.X3025769->			7813	7812
99							
	1982-84		Ch.6010842->, Ch.609295->			7811	7809
900							
	1981-82					7811	7808
	1982-85					7811	7809
	1986-87					7803	7810
	1988-93		Exc. ABS			7803	7802
	1988-89		With ABS			7803	7804
	1990-93		With ABS			7803	7806
	1994-98		With ABS			7807	7800
9000							
	1985-89		Exc. ABS			7801	7802
	1986-89		With ABS			7801	7804
	1990 on		Exc. ABS			7805	7802
	1990 on		With ABS			7805	7806

MODEL/SERIES	YEARS	ENGINE DETAILS	SPECIAL DATES/COMMENTS	BRAKES FRONT	BRAKES REAR	KIT FRONT	KIT REAR
SEAT							
CORDOBA							
	1993-99		Ch.->6K-X-399999			7351	7350
	1999 on		Ch.6K-X-400001			7351	

MODEL/SERIES	YEARS	ENGINE DETAILS	SPECIAL DATES/COMMENTS	BRAKES FRONT	BRAKES REAR	KIT FRONT	KIT REAR
IBIZA							
	1993-99		Ch.->6K-X-399999			7351	7350
	1999 on		Ch.6K-X-400001			7351	
TOLEDO							
	1991-98	SOHC				7351	7350
		DOHC 16V				7352	7350

SSANGYONG							
Musso							
	8/98-2002	3.2i & 2.9TD				3133	3134
Korando							
	11/98-2000	3.2i				3133	3134

SUBARU							
1400, 1600							
	1973-80	1.4, 1.6L				2611	2795
	1973-80	1.4, 1.6L				2611	1247
	1974-93	1.4, 1.6L				2612	2794
1800							
	1986-93	1.8L				1162	2794
BRUMBY							
	1980-84	1.8L				2612	2794
	1985-93	1.8L				1162	2794
Forester							
	1997-2002					8022	8023
IMPREZA							
	1993 on					8022	8023
	1993 on					8022	8024
LEONE							
	1980-8/81	1.8L				2611	2795
	1980-8/81	1.8L				2611	1247
	8/81-84	1.8L				2612	2795
	1985-93	1.8L				1162	2795
	1985-93	1.8L				1162	1247
	1980-84	1.8L				2612	2794
	1985-93	1.8L				1162	2794
LIBERTY							
	1989-95					8022	8016
	1989-95					8022	8017
	1989-98					8022	8023
OUTBACK							
	1996 on					8022	8023
SVX							
	92-97	3.3 Ltr				3249	8093
VORTEX							
	1986-89	1.8L				1162	1247
	1986-89	1.8L				1162	2794

SUZUKI							
ALTO							
	1985-89	543, 796cc				2616	2615
CARRY ST80V							
	1976-85	797cc				2615	2796
CARRY SUPER							
	1985-90	970cc				3187	2797
GRAND VITARA							
	1999-2000	1.6ltr				8094	
	2001-2005					3250	3251
HATCH							
	1980-85	543, 796cc				2616	2615
LJ50							
	1974-78	539cc				2614	2796

MODEL/SERIES	YEARS	ENGINE DETAILS	SPECIAL DATES/COMMENTS	BRAKES FRONT	BRAKES REAR	KIT FRONT	KIT REAR
MIGHTY BOY							
	1985-88	543cc				2616	2615
SIERRA							
	1981-87	970, 1324cc	all			2613	2797
	1987 on	970, 1324cc	except Ute			2613	3101
	1987 on	970, 1324cc	Ute			2613	3102
	1989 on	1298cc				2613	3101
SWIFT							
SA	1984-89	993cc				1133	1234
SA	1986-89	1298, 1324cc				913	1234
SF	1989-4/94	3 & 4 Cyl				1181	3095
VITARA							
	88-11/97	1.6L				3188	3116
	2001-2005					3250	3251
X90							
	2001-2005					3250	3251
XL7							
	2001-2005					3250	3251

TOYOTA

AVALON							
	2000 - 06	6 Cyl				3157	3103
AVANTE							
RT142/ST141	11/84-4/87	22R-EC 2.4L 4 Cyl EFI	with IRS			2884	1255
	8/83-4/87	2S-C 2.0L 4 Cyl	with Borg Warner Axle			2884	2887
AVENSIS							
	1998 on					7768	
BLIZZARD							
LD10, LD20	1981-83	2.2L				2602	1211
BUNDERA							
	1985-91	2.4L				3021	1250*

* Note: Do not use 3074 kit in replace of KIT 1250.

CAMRY							
	1983-87	4 Cyl	Imported Hatch (Timken OE Rear)			1163	3174*
	87-11/92	4 & 6 Cyl	Sedan & Wagon (Timken OE Rear)			1163	3174*
	11/92-12/03	4 & 6 Cyl	Sedan & Wagon (Timken OE Rear)			3157	3174*
	2004-2009		Inc ABS & LHS Rear			3246	8096
	2004-2009		Inc ABS & RHS Rear			3246	8096

* Some models may use 3103.

CELICA							
TA22,23	11/71-3/74	2T 1.6L 4 Cyl				2983	2881
TA22,23	4/74-6/76	2T 1.6L 4 Cyl				2900	2881
RA23	6/76-12/76	18RC 2.0L 4 Cyl				2900	2887
RA28	1/77-11/77	18RC 2.0L 4 Cyl				2900	2887
RA40	8/77-7/81	18RC 2.0L 4 Cyl	Round HeadLights to 8/79 - Square After			2884	2887
RA60	8/81-10/83	21RC 2.0L 4 Cyl				2884	2887
RA65	10/84-12/85	22RE 2.4L 4 Cyl EFI				2884	1255
SA63	10/83-10/84	2SC 2.0L 4 Cyl				2884	1255
	10/85-94	4 Cyl	Excluding 4WD Turbo			1163	921
	1/90-12/92	4 Cyl	Excluding 4WD Turbo			1163	1163
	1994-99	4 Cyl				3189	1163

COROLLA							
KE20/25/26	2/70-10/74	3K 1.2L 4 Cyl		DISC	DRUM	◆	◆
KE30/35/36/50	11/74-11/78	3K-C 1.2L 4 Cyl	Borg Warner Axle			2900	
KE30/35/36/50	11/74-11/78	3K-C 1.2L 4 Cyl	Japanese Axle			2900	
KE38/55	11/78-9/81	4K-C 1.3L 4 Cyl	Borg Warner Axle			2900	
KE38/55	11/78-9/81	4K-C 1.3L 4 Cyl	Japanese Axle			2900	
KE70/71	10/81-12/83	4K-C 1.3L 4 Cyl 4/83 ON HICAM				2900	
AE71 RWD	10/83-4/85	4A-C 1.6L SOHC 4 Cyl	Sedan & Station Wagon			2884	
AE71 RWD	10/83-4/85	4A-C 1.6L SOHC 4 Cyl	Sprinter & van			2900	
AE86	1983-85	1.6L	Sprinter			2900	
AE80, AE82	1985-89	1.3, 1.6L				1163	

COROLLA (CONTINUED)							
AE90, 92, 93, 94	1989-6/94	1.4, 1.6, 1.8L					
AE90, 92, 93, 94	1989-6/94	1.4, 1.6, 1.8L				DRUM	1278
AE95	10/87-9/90	1.6L				DISC	1278
AE101, 111	7/94-11/01	1.6L	4WD				1278
AE102, 112	7/94-11/01	1.8L					1278
AE102	8/94-7/95	1.8L	Non ABS				1278
AE102, 112	8/95-11/01	1.8L	Inc ABS				1278
AE102, 112	8/95-11/01	1.8L	Inc ABS				1278
ZZE122, ZZE123	12/01-4/07	1.8L	Inc ABS				3142
ZZE122, ZZE123	12/01-4/07	1.8L	Exc. ABS				3142

◆ 2880 Front Drum, 2983 Front Disc - Borg Warner Axle Rear 2742, Japanese Axle 2881.

CORONA							
	1964-70	1.5, 1.6, 1.9L	Borg Warner Axle Sedan	DRUM		2880	2742
	1964-70	1.5, 1.6, 1.9L	Borg Warner Axle Sedan	DISC		2983	2881
	1964-70	1.5, 1.6, 1.9L	Japanese Axle Sedan	DRUM		2880	2881
	1964-70	1.5, 1.6, 1.9L	Japanese Axle Sedan	DISC		2983	2887
	1964-70	1.5, 1.6, 1.9L	Jap. Axle Ute, St.Wagon, Van	DRUM		2880	2887
	1964-70	1.5, 1.6, 1.9L	Jap. Axle Ute, St.Wagon, Van	DISC		2983	2887
RT80	6/70-6/71	2R 1.5L 4 Cyl				2983	2881
RT81	7/71-2/74	12R 1.6L 4 Cyl				▼	2881
RT104	3/74-4/76	18R 2.0L 4 Cyl				2884	♥
RT104/118/132	5/76-1/82	18R-C 2.0L 4 Cyl				2884	♥
XT130/XT131 WAGON	10/79-7/83	1X 1.9L 4 Cyl Starfire				2884	2765
RT133	8/81-7/83	21R-C 2.0L 4 Cyl				2884	♥
ST141	8/83-4/87	2S-C 2.0L 4 Cyl				2884	2887
RT142	11/84-4/87	22R-EC 2.4L 4 Cyl EFI	with IRS			DISC	2884

▼ 2983 Front Disk, 2984 Front Drum ♥ Borg Warner Axle Rear 2765, Japanese Axle 2887.

CRESSIDA							
MX32,36	1/77-1/81	4M 2.6L 6 Cyl				2884	2887
MX62	2/81-10/84	5ME 2.8L SOHC 6 Cyl EFI				2884	2887
MX73	11/84-8/85	5ME 2.8L SOHC 6 Cyl EFI	Station Wagon uses rear 2887			2884	1255
	8/85-10/88	5MGE 2.8L DOHC 6 Cyl EFI				2884	1255

CROWN							
MS55, MS57	1968-71	2.3L	Borg Warner Axle			2884	2765
MS55, MS57	1968-71	2.3L	Japanese Axle			2884	2887
MS65	1/71-4/75	4M 2.6L 6 Cyl					2765
MS83,85,111	4/75-10/80	4M 2.6L 6 Cyl	MS83-2/78,85-8/79,111 9/79on			DRUM	2889
MS112	10/80-9/83	2.8L 6 Cyl				DRUM	2889
MS123	10/83-5/88	2.8L 6 Cyl				DRUM	2889

◆ 2884 Front to 4/75, 2889 Front 4/75 on

DYNA							
150	11/85 on	2.4, 2.8L	Single Wheel 1.25 Tonne			1156	1250*
150	11/85 on	2.4, 2.8L	Single Wheel 1.5 Tonne			1156	3076*
150	11/85 on	2.4, 2.8L	Dual Wheel			1156	3021*
BU61/65 YH81	10/85 on	2YC 1.8L 4 Cyl	Single Rear Wheel			3065	1250*
LH80/LY60	11/85-4/91	2L 2.4L 4 Cyl Diesel				◆	◆

◆ 3065 Front Wheel LH80, 3021 Rear LY60 Dual Rear Wheels *Note: Do not use 3074 kit in replace of KIT 1250.

HI-ACE							
	1972-74	1.6L				3064	3074
	1977-82	1.6, 2.0, 2.2L	Dual Cab			1156	3074
RH11/RH16 BUS	1/74-12/85	12R 1.6L 4 Cyl				3065	3074
RH20	5/77-12/82	12R 1.6L 4 Cyl				3065	3074
RH22/32	6/77-12/82	18R-C 2.0L 4 Cyl				3065	3074
RH42 Bus	1/79-12/82	18R-C 2.0L 4 Cyl				3065	3074
YH50	1/83-2/84	2YC 1.8L 4 Cyl				3065	3074
YH61/71	1/83-9/86	3YC 2.0L 4 Cyl				3065	3074
YH51	1/84-9/86	3YC 2.0L 4 Cyl	11/85 on uses 1250			3065	3074
YH53/63	10/86-9/89	4Y 2.2L 4 Cyl				3065	1250*
		3YC 2.0L 4 Cyl	YH53 only			3065	1250*
YH73 Bus	10/86-9/89	4Y 2.2L 4 Cyl	Single Rear Wheel only			3065	1250*
LH20/30	3/81-1/83	L 2.2L 4 Cyl Diesel	Single Rear Wheel only			3065	1250*

MODEL/SERIES	YEARS	ENGINE DETAILS	SPECIAL DATES/COMMENTS	BRAKES FRONT	BRAKES REAR	KIT FRONT	KIT REAR
HI-ACE (CONTINUED)							
LH50/60	2/83-5/98	L 2.2L 4 Cyl Diesel	Single Rear Wheel only			3065	1250*
LH70 Bus	2/83-5/98	L 2.2L 4 Cyl Diesel	Single Rear Wheel only			3065	1250*
LH51/61	2/83-5/98	2L 2.4L 4 Cyl Diesel	Single Rear Wheel only			3065	1250*
LH71	2/83-5/98	2L 2.4L 4 Cyl Diesel				3065	1250*
*Note: Do not use 3074 kit in replace of KIT 1250.							
HI-LUX							
RN 20	1/70-9/78	12R 1.6L 4 Cyl	2WD			3064	3074
RN30,40	10/78-10/83	12R 1.6L 4 Cyl	2WD			3065	3074
RN31,41	4/79-10/83	18R-C 2.0L 4 Cyl	2WD			3065	3074
RN36,RN46	5/79-10/83	18R-C 2.0L 4 Cyl	RN36 SWB, RN46 LWB, 4 WD			3021	3074
LN 40 2WD	5/80-10/83	L 2.2L 4 Cyl Diesel	2WD			3065	3074
LN46	5/80-10/83	L 2.2L 4 Cyl Diesel	4WD			3021	3074
LN55	11/83-10/88	L 2.2L 4 Cyl Diesel	2WD			3065	3074
LN65	10/83-9/88	2L 2.4L 4 Cyl Diesel	4WD			3021	3074
YN 55	11/83-9/87	1YC 1.6L 4Cyl	2WD			3065	3074
YN57	11/83-9/87	3YC 2.0L 4 Cyl	2WD			3065	3074
YN65	11/83-10/85	3YC 2.0L 4 Cyl	4WD			3021	3074
LN56	9/84-9/88	2L 2.4L 4 Cyl Diesel	2WD			3065	3074
YN 56/58	10/87-9/88	2YC 1.8L 4 Cyl	YN56 4 WD			3065	3074
RN105,110 SR5	9/88 on	22R 2.4L 4 Cyl	4WD			3021	3074
YN85	10/88 on	2YC 1.8L 4 Cyl	2WD			3065	3074
	8/85-8/91	1.6, 2.8L	2WD			3065	1250*
LN61, YN63	8/85-8/88	2.0, 2.2, 2.4L	4WD			3021	1250*
LN106, RN105	8/88-8/91	2.4, 2.8L	4WD			3021	1250*
excluding LN106, RN105	8/88-8/91	2.4, 2.8L	4WD			1191	1250*
	8/91-04/98	2.4, 2.8L	4WD			3021	1250*
LN167	05/98 on					3021	1252
*Note: Do not use 3074 kit in replace of KIT 1250.							
KLUGER							
MCU28R	10/03-7/07	3.3 Ltr	FWD - LHS			3246	8097
MCU28R	10/03-7/07	3.3 Ltr	FWD - RHS			3246	8098
MCU28R	10/03-7/07	3.3 Ltr	4WD			3246	8099
GSU40R	8/07-12/09	3.5ltr	FWD			8100	8101
GSU40R	8/07-12/09	3.5ltr	4WD			8100	8102
LAND CRUISER							
	1969-8/73	4 & 6 Cyl	Semi Floating Axle			3020	3075
	1969-8/73	4 & 6 Cyl	Full Floating Axle			3020	3021
DIESEL BJ40	2/74-9/80	B 3.0L 4 Cyl Diesel	Rear Wheel/ Full Floating Axle			3021	3021
BJ42	10/80-12/84	3B 3.4L 4 Cyl Diesel	Rear Wheel/ Full Floating Axle			3021	3021
BJ70,73	1/85-2/90	3B 3.4L 4 Cyl Diesel	Rear Wheel/ Full Floating Axle			3021	3021
BJ74	3/86-1/90	13BT 3.4L 4 Cyl Diesel Turbo	Rear Wheel/ Full Floating Axle			3021	3021
PETROL FJ40,45	3/69-9/73	F 3.9L 6 Cyl	Rear Wheel/ Full Floating Axle			3020	3021
FJ40,45	9/73-12/84	2F 4.2L 6 Cyl	FJ45 79 - 84			▼	3076
FJ55,60	9/73-12/84	2F 4.2L 6 Cyl	FJ55 TO 7/80, FJ60 8/80 - 84			▼	3076
FJ62,70	11/84-10/92	3F 4.0L 6 Cyl				+	+
FJ73,75	2/85-10/92	3F 4.0L 6 Cyl				+	+
FJ80	3/90-10/92	3F 4.0L 6 Cyl Carby				+	+
DIESEL HJ45	9/73-7/80	H 3.6L 6 Cyl Diesel				*	*
HJ47,60	8/80-4/90	2H 4.0L 6 Cyl Diesel	HJ47 to8/84,HJ60 From 11/80			3021	3021
HJ75	11/84-3/90	2H 4.0L 6 Cyl Diesel				3021	3021
HJ61	2/86-4/90	12HT 4.0L 6 Cyl Diesel Turbo				3021	3021
HDJ80R	5/90 on	1HD-T 4.2L 6 Cyl Diesel Turbo		DISC	DISC	3110	1289
HZJ70	3/91-9/92	1HZ 4.2L 6 Cyl Diesel		DISC	DISC	3110	1289
78, 79 Series	1998 on			DISC	DRUM	3021	3021
78, 79 Series	1998 on			DISC	DISC	3021	1289
100 Series	1998 on		Inc. Independant Front Suspension			3221	1289
105 Series	1998 on		Non Independant Front Suspension			3021	1289
▼ 3020 Front to 9/75, 3021 Rear with Full Floating Axle + 3021 Front and Rear with Full Floating Rear Axle Drum Brake, 3110 Front Wheel 4 Wheel Disc 1/90 on * 3021 Front and Rear with Full Floating Rear Axle Drum Brake							

MODEL/SERIES	YEARS	ENGINE DETAILS	SPECIAL DATES/COMMENTS	BRAKES FRONT	BRAKES REAR	KIT FRONT	KIT REAR
LEXCEN							
	6/89 on	3.8L	Standard Suspension			2771	2985
	6/89 on	3.8L	Independent Rear Suspension			2771	3096
	9/89-10/91	3.8L V6 EFI	Equiv. to HOLDEN COMMODORE VN			2771	1257
CSI, NEWPORT	11/91-8/93	3.8L V6 EFI	Equiv. to HOLDEN COMMODORE VP			2771	*
	8/93-95	3.8L V6 EFI	Equiv. to HOLDEN COMMODORE VR-VS				*
★ 1257 rear non IRS, 3096 Rear IRS							
LITE-ACE							
	1970-80	1.3L	2WD			2983	2887
	1980-5/83	1.3L	2WD Single Wheel			2884	2887
	1980-5/83	1.3L	2WD Dual Wheel			2884	3190
	5/83-8/85	1.3, 1.5, 1.8L	2WD Single Wheel			2885	2887
	5/83-8/85	1.3, 1.5, 1.8L	2WD Dual Wheel			2885	3190
	9/85-1992	1.3, 1.5, 1.8, 2.0L	2WD			2885	2887
MR2							
AW11	1987-2/90					1254	3155
SW20	3/90-99					921	3157
PRADO							
SJ95, VZJ95	07/96-2002		FWB - Timken special			8032	8027
RAV4							
SXA10, 11	1994-6/00		4WD - Non ABS			3205	3206
SXA10, 11	1994-6/00		4WD - Inc ABS			3207	3207
ACA20R, 21R	7/00-2005		4WD			8052	3208
STARLET							
	96 - 99	4 Cyl				3193	3194
TARAGO							
YR20	1/83-2/84	2YC 1.8L 4 Cyl				2884	2887
YR21	3/84-10/90	3YC 2.0L 4 Cyl				2884	2887
YR22	10/85-10/90	4YEC 2.2L SOHC 16V 4 Cyl EFI	2WD			2884	2888
YR31	1986-10/90	2.2L	4WD			1264	2888
CR21	7/83-9/88	2C 2.0L 4 Cyl Diesel				2884	2887
TCR10	10/90-2/93	4 Cyl	Rigid Axle, 2WD			3191	2887
TCR20	10/90-2/93	4 Cyl	Rigid Axle, 4WD			3192	2887
TERCEL							
AL25	1983-88	1.5L				1176	2881
town ace							
	92-97	4 Cyl				2837	2887
	1982-85	2.0, 2.4L	Single Wheel			1156	3076
	1982-85	2.0, 2.4L	Dual Wheel			1156	3021
TOYO ACE							
	1982-85	2.0, 2.4L	Single Wheel			1156	3076
	1982-85	2.0, 2.4L	Dual Wheel			1156	3021
T18							
	1979-83	1.8L	most			2900	2887
	1979-83	1.8L	some			2900	2881

VOLKSWAGEN							
BEETLE, KARMANN GHIA							
	1957-66	1.2L	Swing Axle			2800	2802
	1957-66	1.2L	Double Joint Axle			2800	
	1963-68	1.3, 1.5, 1.6L	Swing Axle			2801	2802
	1963-68	1.3, 1.5, 1.6L	Double Joint Axle			2801	
	1968-75	1.3L	Swing Axle			2803	2802
	1968-75	1.3L	Double Joint Axle			2803	
	1968-80	1.5, 1.6L	Swing Axle			2806	2802
	1968-80	1.5, 1.6L	Double Joint Axle			2806	
BORA							
	1999 on		Inc. 4 MOTION			7108	7109
FASTBACK							
	1966-68	1.6L	Swing Axle			2801	2802
	1966-68	1.6L	Double Joint Axle			2801	
	1968-73	1.6L	Swing Axle			2806	2802

MODEL/SERIES	YEARS	ENGINE DETAILS	SPECIAL DATES/COMMENTS	BRAKES FRONT	BRAKES REAR	KIT FRONT	KIT REAR
FASTBACK (CONTINUED)							
	1968-73	1.6L	Double Joint Axle			2806	
GOLF							
	1976-82	1.6L				3226	2806
	1990-98		Non Cabriolet, 2L Hatch or VR6			7351	2806
	1990-8/93		Inc Cabriolet			3226	2806
	9/93-00		Inc Cabriolet			7351	2806
	1992-98		Inc VR6 & 2L Hatch			7352	2806
KOMBI							
	1968-80	4 Cyl				3051	
NEW BEETLE							
	1998 on					7108	7109
PASSAT							
	1974-82	1.5, 1.6L				2905	2806
	1995-1997	2L				7351	2806
	1995-1997	2.8L	V6			7352	2806
	1997 on	1.6, 1.8, 1.9TDI (66KW)	Ch.3BV000001->			7105	7114
PASSAT SYNCRO							
	1997 on	2.5, 2.8	Inc. 4 MOTION			7110	7105
POLO							
	1996-1999					7351	2806
	2000 on	CLASSIC	Ch.6KX610001->			7351	
TRANSPORTER							
	1980-84	MINIBUS	Ch.->24-E-023827			7360	7362
	1984-92	MINIBUS	Ch.24-E-023828->			7361	7362
	1971-92	MINIBUS RWD				7361	7362
	1991-99	MINIBUS FWD T4				7363	7363
	10/84-92	SYNCRO 4X4					7362
	1993 on	SYNCRO 4X4				7363	7363
VENTO							
	1992-98					7351	2806
	1992-98	2.0GT, 2.8 VR6				7352	2806

VOLVO							
142, 144							
	1968-70	1.8, 2.0L	A.T.E. Brakes			1164	
	1971-75	1.8, 2.0L	A.T.E. Brakes			1164	2921
	1968-75	1.8, 2.0L	GIRLING Brakes			2920	1256
145							
	1968-75	1.8, 2.0L	A.T.E. Brakes			1164	2921
	1968-75	1.8, 2.0L	GIRLING Brakes			2920	1256
164							
	1969-72	3.0L	A.T.E. Brakes			1164	
	1973-75	3.0L	A.T.E. Brakes			1164	2921
	1969-75	3.0L	GIRLING Brakes			1164	1256
240, 242, 244, 245, 260							
	1975-81	2.1, 2.3, 2.7, 2.8L	A.T.E. Brakes			1164	2921
	1975-81	2.1, 2.3, 2.7, 2.8L	GIRLING Brakes			1164	1256
	1981-83	2.1, 2.3, 2.7, 2.8L				3120	2921
	1983 on	2.1, 2.3, 2.7, 2.8L				3120	
262, 264, 265							
	1975-81	2.7, 2.8L	A.T.E. Brakes			1164	2921
	1975-81	2.7, 2.8L	GIRLING Brakes			2920	1256
	1981-83	2.7, 2.8L				3120	2921
360							
	1986-92		Ch.121000->			7900	7902
440							
	1991-96		Exc. ABS (Ch.205700->)			7904	7905
	1991-96		With ABS (Ch.205700->)			7904	7906
740							
	1984-87		Exc. ABS			3120	7903
	1988-92	Inc. Rigid Axle	Exc. ABS			7907	7903

MODEL/SERIES	YEARS	ENGINE DETAILS	SPECIAL DATES/COMMENTS	BRAKES FRONT	BRAKES REAR	KIT FRONT	KIT REAR
740 (CONTINUED)							
	1989-92	Rigid Axle	With ABS			7909	7903
760							
	1982-87					3120	7903
	1988-90	Sedan	Exc. ABS			7907	7908
	1988-90	Wagon	Exc. ABS			7907	7903
	1989-90	Sedan	With ABS			7909	7908
	1989-90	Wagon	With ABS			7909	7903
850							
	1992-93					7910	7915
	1994-97	FWD				7911	7916
	1996-97	AWD 4X4				7911	7908
940							
	1991-97	Rigid Axle	Exc. ABS			7907	7903
	1991-97	Rigid Axle	With ABS			7909	7903
	1991-97	Multi-Link Axle	With ABS			7909	7903
960							
	1991-94	Rigid Axle	Exc. ABS			7907	7903
	1991-94	Multi-Link Axle	Exc. ABS			7907	7908
	1991-94	Rigid Axle	With ABS			7909	7903
	1991-94	Multi-Link Axle	With ABS			7909	7908
	1995-97	Multi-Link Axle				7912	7908
C70							
	1997-98					7918	7916
	1999 on					7921	7916
S40, V40							
	1996-97					7913	7914
	1998-00					7917	7914
S60							
	2001 on					7919	7920
S70, V70							
	1997-98	FWD				7918	7916
	1997-98	AWD				7918	7908
	1999-00	FWD				7921	7916
	1999-00	AWD				7921	7908
V70							
	2001 on	FWD				7919	7920
	2001 on	AWD				7919	7922
V70 XC							
	1998-99					7918	7908
	1999-00					7921	7908
	2001 on					7919	7922
S80							
	1999 on					7919	7920
S90, V90							
	1997-98					7912	7921

KIT NO	COMPONENTS	SEAL DIMENSIONS	TRAILER TYPE	PACKAGING	AXLE TYPE
6000	LM67048/10, LM11949/10, C6518	1.437" X 2.328"	Standard	Square Carton	Holden
6001	L68149/10, LM12749/10, C6641	1.468" x 2.328"	Marine	Square Carton	Ford
6002	LM67000LA - 9A4A5, LM11949/10	Integral with Bearing	Various	Square Carton	Old
6003	2 X 07100S & 2 X 07210X & 1 X TC12060	1.25" x 2.00"	Standard	Square Carton	Old
6004	2 X 07100S & 2 X 07210X & 1 X TC12074	1.375" x 2.00"	Standard	Square Carton	Old
6005	2 x 30205, C4791	1.378" x 2.047"	Standard	Square Carton	Old
6006	LM67048/10, LM12749/10, C6518	1.437" x 2.328"	Standard	Square Carton	Ford/ Holden
6007	LM67048/10, LM11949/10, C6641	1.468" x 2.328"	Marine	Square Carton	Holden
6007T	LM67048/10, LM11949/10, C6641	1.468" x 2.328"	Marine	Retail Carton	Holden
6008	2 x 07087X/07210X, C5067	1.375" x 2.50"	Standard	Square Carton	Old
6009	LM67048/10, LM11949/10, C6693	1.437" x 2.328"	Marine	Square Carton	Holden
6010	L68149/10, LM12749/10, C6693	1.437" x 2.328"	Marine	Square Carton	Ford
6011	LM67048/10, LM11949/10, C6521	1.500" x 2.328"	Standard	Square Carton	Holden
6011T	LM67048/10, LM11949/10, C6521	1.500" x 2.328"	Standard	Retail Carton	Holden
6014	L68149/10, LM12749/10, C6524	1.750" x 2.328" (Slimline Kit)	Standard	Square Carton	Ford
6014T	L68149/10, LM12749/10, C6524	1.750" x 2.328" (Slimline Kit)	Standard	Retail Carton	Ford
6015T	L68149/10, LM12749/10, C4750	1.687" x 2.328"	Standard	Retail Carton	Ford
6016T	L68149/10, LM12749/10, C6692	1.687" x 2.328"	Marine	Retail Carton	Ford
TS2	C6641 x 2 seals only	Size 1.468" X 2.328"	Marine	Retail Carton	Holden
TS4	C6692 x 2 seals only	Size 1.687" x 2.328"	Marine	Retail Carton	Ford
TS5	C6521 x 2 seals only	Size 1.500" X 2.328"	Standard	Retail Carton	Holden

CUP/CONE	SET NUMBER	OLD SET NO.
07100/07196	SET 15	
15123/15245	SET 43	
1988/1922	SET 21	
25877A / 25821	SET 96	
47686 / 47620	SET 411	
HM88542 / HM88510	SET 81	SET 9
HM88649H / HM88610	SET 67	SET 10
HM89446 / HM89410	SET 100	
HM89449 / HM89410	SET 312	SET 12
JL69349/JL69310	SET 11	
JLM104948 / JLM104910	SET 107	
L44642 / L44610	SET104	
L44643/L44610	SET 14	
L44649 / L44610	SET 4	SET C
L45449 / L45410	SET 8	SET H
L68149 / L68110	SET 13	SET F
LM102949 / LM102910	SET 47	
LM102949 / LM102911	SET 18	
LM104949/JLM104910	SET 82	
LM104949/LM104911	SET 38	
LM11749 / LM11710	SET 1	SET D
LM11949 / LM11910	SET 2	SET A
LM12749 / LM12710	SET 12	SET E

CUP/CONE	SET NUMBER	OLD SET NO.
LM12749/LM12711	SET 16	
LM29748 / LM29710	SET 56	
LM29749 / LM29710	SET 70	SET 1
LM29749 / LM29711	SET 268	SET 2
LM48548 / LM48510	SET 5	SET 3
LM501349 / LM501310	SET 45	SET 14
LM501349 / LM501314	SET 69	SET 15
LM603049/LM603011	SET 37	
LM67048 / LM67010	SET 6	SET B
LM67048 / LM67010BCE - 90011	SET 27	
M12649 / M12610	SET 3	
M802048 / M802011	SET 328	SET 16
M84548 / M84510	SET 308	SET 4
M86647 / M86610	SET 65	SET 5
M86649 / M86610	SET 309	SET 6
M88043 / M88010	SET 242	SET 7
M88046 / M88010	SET 219	SET 17
M88048 / M88010	SET 63	SET 8
U298/90010,0578-107049	SET 284	
U298/90010,K529698	SET 280	SET G
U399/360L/K426898	SET 10	SET 10
U399A/90012/K518783/K523967	SET 20	SET 20

KIT / MODEL CROSS REFERENCE CHART

KIT / MODEL CROSS REFERENCE CHART

KIT NO.	MODEL
913	HOLDEN
913	SUZUKI
921	TOYOTA
1113	DAIHATSU
1130	FORD
1131	HYUNDAI
1131	MINIBUS
1132	FORD
1132	MAZDA
1133	SUZUKI
1134	HYUNDAI
1134	MINIBUS
1135	HOLDEN
1135	ISUZU
1136	MINIBUS
1137	HOLDEN
1138	HOLDEN
1138	ISUZU
1139	HOLDEN
1139	ISUZU
1140	HONDA
1140	ROVER
1143	MAZDA
1144	MINIBUS
1145	NISSAN
1146	NISSAN
1148	NISSAN
1149	NISSAN
1150	NISSAN
1151	NISSAN
1156	TOYOTA
1157	HOLDEN
1159	HOLDEN
1160	FORD
1160	MAZDA
1161	NISSAN
1162	SUBARU
1163	HOLDEN
1163	TOYOTA
1164	VOLVO
1166	FORD
1168	NISSAN
1173	DAIHATSU
1174	MAZDA
1176	TOYOTA
1178	FORD
1178	NISSAN
1179	FORD
1179	MAZDA
1180	MAZDA
1180	FORD
1180	KIA
1181	HOLDEN
1181	SUZUKI
1182	HOLDEN
1183	NISSAN
1190	MAZDA
1191	TOYOTA
1195	FORD
1195	MAZDA
1211	DAIHATSU

KIT NO.	MODEL
1211	TOYOTA
1212	DAIHATSU
1214	DAIHATSU
1213	DAIHATSU
1231	FORD
1231	MAZDA
1232	MINIBUS
1233	MINIBUS
1234	HOLDEN
1234	SUZUKI
1235	MINIBUS
1236	HOLDEN
1236	ISUZU
1237	MAZDA
1238	MAZDA
1239	FORD
1239	MAZDA
1240	MINIBUS
1241	NISSAN
1242	NISSAN
1243	NISSAN
1244	NISSAN
1247	SUBARU
1250	TOYOTA
1251	FORD
1251	MAZDA
1252	TOYOTA
1254	TOYOTA
1255	TOYOTA
1256	VOLVO
1257	HOLDEN
1257	TOYOTA
1263	NISSAN
1263	HOLDEN
1264	TOYOTA
1267	HONDA
1267	ROVER
1268	FORD
1268	MAZDA
1270	FORD
1270	MAZDA
1271	HONDA
1272	HONDA
1273	DAIHATSU
1274	HOLDEN
1274	ISUZU
1275	ISUZU
1276	FORD
1276	NISSAN
1278	HOLDEN
1278	TOYOTA
1279	HYUNDAI
1284	MAZDA
1285	MAZDA
1286	TOYOTA
1288	MINIBUS
1289	TOYOTA
1290	HYUNDAI
2301	KIA
2302	KIA
2303	CHRYSLER

KIT NO.	MODEL
2304	CHRYSLER
2305	KIA
2306	KIA
2601	DAIHATSU
2602	DAIHATSU
2602	TOYOTA
2606	FORD
2606	MAZDA
2607	HONDA
2608	MAZDA
2610	MINIBUS
2611	SUBARU
2612	SUBARU
2613	HOLDEN
2613	SUZUKI
2615	SUZUKI
2616	SUZUKI
2703	AUSTIN
2704	AUSTIN
2710	CHRYSLER
2710	FORD
2711	CHRYSLER
2713	CHRYSLER
2714	MINIBUS
2721	FORD
2722	FORD
2723	FORD
2724	FORD
2725	FORD
2734	FORD
2735	FORD
2736	FORD
2737	FORD
2738	FORD
2739	FORD
2742	FORD
2742	HOLDEN
2742	LEYLAND
2742	MINIBUS
2742	NISSAN
2742	TOYOTA
2744	FORD
2746	FORD
2746	NISSAN
2756	CHRYSLER
2760	HOLDEN
2761	HOLDEN
2762	HOLDEN
2763	HOLDEN
2764	HOLDEN
2765	HOLDEN
2765	TOYOTA
2766	HOLDEN
2768	HOLDEN
2769	FORD
2769	HOLDEN
2769	LEYLAND
2769	CHRYSLER
2769	MINIBUS
2769	NISSAN
2771	HOLDEN

KIT NO.	MODEL
2771	TOYOTA
2772	HOLDEN
2772	DAEWOO
2772	FORD
2773	FORD
2775	HOLDEN
2780	AUSTIN
2780	MORRIS
2782	MORRIS
2783	MORRIS
2784	MORRIS
2785	MORRIS
2786	MORRIS
2787	MORRIS
2788	LEYLAND
2790	DAIHATSU
2791	FORD
2791	MAZDA
2792	HONDA
2793	HONDA
2793	ROVER
2794	SUBARU
2795	SUBARU
2796	SUZUKI
2797	HOLDEN
2797	SUZUKI
2800	VOLKSWAGEN
2801	VOLKSWAGEN
2802	VOLKSWAGEN
2803	VOLKSWAGEN
2806	VOLKSWAGEN
2837	NISSAN
2837	LEYLAND
2838	NISSAN
2840	NISSAN
2841	NISSAN
2842	NISSAN
2843	NISSAN
2846	NISSAN
2848	NISSAN
2850	FORD
2850	MAZDA
2852	MAZDA
2853	MAZDA
2855	MAZDA
2856	MAZDA
2857	MAZDA
2863	HOLDEN
2863	NISSAN
2864	HOLDEN
2864	NISSAN
2880	TOYOTA
2881	MINIBUS
2881	NISSAN
2881	TOYOTA
2884	TOYOTA
2885	TOYOTA
2887	MINIBUS
2887	TOYOTA
2888	TOYOTA
2889	TOYOTA

KIT NO.	MODEL
2900	TOYOTA
2905	FORD
2905	MAZDA
2906	MAZDA
2906	FORD
2912	TRIUMPH
2913	TRIUMPH
2920	VOLVO
2921	VOLVO
2960	HYUNDAI
2960	MINIBUS
2961	MINIBUS
2965	CHRYSLER
2981	FORD
2981	NISSAN
2983	TOYOTA
2984	TOYOTA
2985	FORD
2985	HOLDEN
2985	NISSAN
2985	TOYOTA
2986	FORD
2987	MINIBUS
3020	TOYOTA
3021	TOYOTA
3024	NISSAN
3025	ROVER
3027	ROVER
3029	HOLDEN
3030	FORD
3031	HOLDEN
3032	HOLDEN
3036	FORD
3041	FORD
3041	MAZDA
3051	VOLKSWAGEN
3054	FORD
3062	FORD
3062	MAZDA
3064	TOYOTA
3065	TOYOTA
3072	MINIBUS
3073	MINIBUS
3074	TOYOTA
3075	TOYOTA
3076	TOYOTA
3077	NISSAN
3078	NISSAN
3079	NISSAN
3080	NISSAN
3081	NISSAN
3083	HOLDEN
3083	NISSAN
3086	FORD
3086	MAZDA
3090	FORD
3091	FORD
3091	MAZDA
3092	FORD
3092	MAZDA
3093	FORD

KIT NO.	MODEL
3095	HOLDEN
3095	SUZUKI
3096	HOLDEN
3096	TOYOTA
3096C	HOLDEN
3097	HOLDEN
3099	FORD
3099	NISSAN
3100	NISSAN
3100	FORD
3101	SUZUKI
3102	SUZUKI
3103	TOYOTA
3103	HOLDEN
3106	HOLDEN
3107	DAIHATSU
3108	FORD
3108	MAZDA
3108	KIA
3110	TOYOTA
3114	HOLDEN
3115	DAIHATSU
3116	SUZUKI
3117	LADA
3118	NISSAN
3119	NISSAN
3120	VOLVO
3122	HOLDEN
3123	ROVER
3124	NISSAN
3126	HOLDEN
3127	MINIBUS
3133	SSANYONG
3134	SSANYONG
3135	FORD
3136	FORD
3137	FORD
3138	FORD
3139	FORD
3140	FORD
3142	MAZDA
3143	TOYOTA
3144	TOYOTA
3155	TOYOTA
3156	HOLDEN
3157	HOLDEN
3157	TOYOTA
3166	FORD
3167	FORD
3167R	FORD
3168	HOLDEN
3171	HOLDEN
3172	MINIBUS
3173	MINIBUS
3174	TOYOTA
3174	HOLDEN
3175	FORD
3176	HOLDEN
3177	HOLDEN
3178	LADA
3179	LADA

KIT NO.	MODEL
3180	MAZDA
3181	MAZDA
3183	MAZDA
3184	MAZDA
3185	MINIBUS
3186	MINIBUS
3187	SUZUKI
3188	SUZUKI
3189	TOYOTA
3190	TOYOTA
3191	TOYOTA
3192	TOYOTA
3193	TOYOTA
3194	TOYOTA
3195	MINIBUS
3196	MINIBUS
3197	HONDA
3198	MAZDA
3199	NISSAN
3200	NISSAN
3201	NISSAN
3202	NISSAN
3204	NISSAN
3205	TOYOTA
3206	TOYOTA
3207	TOYOTA
3208	TOYOTA
3209	DAIHATSU
3210	DAIHATSU
3211	DAIHATSU
3212	DAIHATSU
3213	HONDA
3214	HONDA
3215	TOYOTA
3216	TOYOTA
3217	TOYOTA
3218	NISSAN
3219	NISSAN
3221	TOYOTA
3222	MGF
3223	MGF
3224	PROTON
3225	ROVER
3226	VOLKSWAGEN
3227	FORD
3227C	FORD
3240	FORD
3241	FORD
3242	FORD
3243	FORD
3245	HONDA
3246	LEXUS
3246	MAZDA
3246	TOYOTA
3247	MAZDA
3248	SAAB
3249	SUBARU
3251	SUZUKI
6000	TRAILER
6001	TRAILER
6002	TRAILER

KIT NO.	MODEL
6003	TRAILER
6004	TRAILER
6005	TRAILER
6006	TRAILER
6007	TRAILER
6007T	TRAILER
6008	TRAILER
6009	TRAILER
6010	TRAILER
6011	TRAILER
6011T	TRAILER
6014T	TRAILER
6015T	TRAILER
6016T	TRAILER
7000	ALFA ROMEO
7001	ALFA ROMEO
7002	ALFA ROMEO
7003	ALFA ROMEO
7004	ALFA ROMEO
7005	ALFA ROMEO
7006	ALFA ROMEO
7007	ALFA ROMEO
7008	ALFA ROMEO
7009	ALFA ROMEO
7010	ALFA ROMEO
7011	ALFA ROMEO
7013	ALFA ROMEO
7014	ALFA ROMEO
7015	ALFA ROMEO
7016	ALFA ROMEO
7017	ALFA ROMEO
7018	ALFA ROMEO
7019	ALFA ROMEO
7020	ALFA ROMEO
7021	ALFA ROMEO
7100	AUDI
7101	AUDI
7102	AUDI
7103	AUDI
7104	AUDI
7105	AUDI
7106	AUDI
7107	AUDI
7108	AUDI
7109	AUDI
7110	AUDI
7111	AUDI
7112	AUDI
7113	AUDI
7114	AUDI
7200	BMW
7201	BMW
7202	BMW
7203	BMW
7204	BMW
7205	BMW
7206	BMW
7207	BMW
7208	BMW
7209	BMW
7210	BMW

KIT NO.	MODEL
7211	BMW
7212	BMW
7213	BMW
7214	BMW
7215	BMW
7216	BMW
7217	BMW
7218	BMW
7219	BMW
7220	BMW
7221	BMW
7300	CITROEN
7301	CITROEN
7302	CITROEN
7303	CITROEN
7304	CITROEN
7305	CITROEN
7306	CITROEN
7306	PEUGEOT
7307	CITROEN
7308	CITROEN
7309	CITROEN
7310	CITROEN
7311	CITROEN
7312	CITROEN
7349	VOLKSWAGEN
7350	SEAT
7351	SEAT
7351	VOLKSWAGEN
7352	SEAT
7352	VOLKSWAGEN
7360	VOLKSWAGEN
7361	VOLKSWAGEN
7362	VOLKSWAGEN
7363	VOLKSWAGEN
7400	FIAT
7401	FIAT
7402	FIAT
7403	FIAT
7404	FIAT
7405	FIAT
7406	FIAT
7407	FIAT
7408	ALFA ROMEO
7408	FIAT
7409	ALFA ROMEO
7409	FIAT
7410	FIAT
7411	FIAT
7412	LANCIA
7413	TRIUMPH
7450	FORD
7451	FORD
7452	FORD
7453	FORD
7454	FORD
7455	FORD
7456	FORD
7457	FORD
7458	FORD
7459	FORD

KIT NO.	MODEL
7460	FORD
7461	FORD
7462	FORD
7463	FORD
7500	MERC
7501	MERC
7502	MERC
7503	MERC
7504	MERC
7505	MERC
7506	MERC
7507	MERC
7508	MERC
7509	MERC
7510	MERC
7511	MERC
7512	MERC
7513	MERC
7514	MERC
7515	MERC
7516	MERC
7517	MERC
7518	MERC
7519	MERC
7520	MERC
7521	MERC
7522	MERC
7523	MERC
7524	MERC
7525	MERC
7600	CITROEN
7600	PEUGEOT
7601	CITROEN
7601	PEUGEOT
7602	PEUGEOT
7603	CITROEN
7604	CITROEN
7604	PEUGEOT
7605	CITROEN
7605	PEUGEOT
7606	PEUGEOT
7607	PEUGEOT
7609	PEUGEOT
7610	PEUGEOT
7611	PEUGEOT
7612	PEUGEOT
7613	PEUGEOT
7614	CITROEN
7614	PEUGEOT
7615	CITROEN
7615	PEUGEOT
7616	CITROEN
7616	PEUGEOT
7617	PEUGEOT
7618	PEUGEOT
7619	PEUGEOT
7620	PEUGEOT
7621	CITROEN
7621	PEUGEOT
7623	PEUGEOT
7624	PEUGEOT

KIT NO.	MODEL
7625	PEUGEOT
7626	PEUGEOT
7627	PEUGEOT
7700	RENAULT
7701	RENAULT
7702	RENAULT
7703	RENAULT
7704	RENAULT
7705	RENAULT
7706	RENAULT
7707	RENAULT
7708	RENAULT
7709	RENAULT
7710	RENAULT
7750	DAEWOO
7751	DAEWOO
7752	DAEWOO
7753	DAEWOO
7754	DAEWOO
7755	HOLDEN
7756	HOLDEN
7757	HYUNDAI
7758	NISSAN
7759	HYUNDAI
7760	HYUNDAI
7761	HYUNDAI
7762	HYUNDAI
7763	HYUNDAI
7764	HOLDEN
7765	HOLDEN
7766	HOLDEN
7767	HOLDEN
7768	TOYOTA
7770	ROVER
7771	HOLDEN
7772	HOLDEN
7773	HOLDEN
7774	HOLDEN
7800	SAAB
7801	SAAB
7802	SAAB
7803	SAAB
7804	SAAB
7805	SAAB
7806	SAAB
7807	SAAB
7809	SAAB
7810	SAAB
7811	SAAB
7812	SAAB
7813	SAAB
7900	VOLVO
7902	VOLVO
7903	VOLVO
7904	VOLVO
7905	VOLVO
7906	VOLVO
7907	VOLVO
7908	VOLVO
7909	VOLVO
7910	VOLVO

KIT NO.	MODEL
7911	VOLVO
7912	VOLVO
7913	VOLVO
7914	VOLVO
7915	VOLVO
7916	VOLVO
7917	VOLVO
7918	VOLVO
7919	VOLVO
7920	VOLVO
7921	VOLVO
7922	VOLVO
8001	HYUNDAI
8002	HYUNDAI
8004	HYUNDAI
8005	HYUNDAI
8006	HYUNDAI
8007	HYUNDAI
8008	FORD
8008	NISSAN
8009	MAZDA
8010	FORD
8010	MAZDA
8011	HONDA
8012	HONDA
8013	MAZDA
8015	NISSAN
8016	SUBARU
8017	SUBARU
8020	FORD
8021	FORD
8022	SUBARU
8023	SUBARU
8024	SUBARU
8025	DAEWOO
8026	FORD
8027	TOYOTA
8028	HOLDEN
8029	HYUNDAI
8030	NISSAN
8031	NISSAN
8032	TOYOTA
8033	DAIHATSU
8034	DAIHATSU
8035	HONDA
8036	HONDA
8037	NISSAN
8038	NISSAN
8039	NISSAN
8040	JEEP
8041	JEEP
8042	JEEP
8043	JEEP
8044	JEEP
8045	JEEP
8046	JEEP
8047	JEEP
8048	JEEP
8049	CHRYSLER
8050	CHRYSLER
8051	NISSAN

KIT NO.	MODEL
8053	HYUNDAI
8054	HYUNDAI
8055	KIA
8056	NISSAN
8057	PROTON
8058	FORD
8059	MAZDA
8060	MAZDA
8061	CHRYSLER
8062	FORD
8063	FORD
8064	FORD
8065	FORD
8066	FORD
8070	HYUNDAI
8071	HYUNDAI
8072	HYUNDAI
8073	HONDA
8075	HONDA
8076	HONDA
8077	HUMMER
8078	JEEP
8079	MAZDA
8080	MAZDA
8081	MAZDA
8082	MAZDA
8083	MAZDA
8084	MAZDA
8085	MAZDA
8086	NISSAN
8087	NISSAN
8088	NISSAN
8089	NISSAN
8090	NISSAN
8093	SUBARU
8094	SUZUKI
8095	TOYOTA
8096	TOYOTA
8097	TOYOTA
8098	TOYOTA
8099	TOYOTA
8100	TOYOTA
8101	TOYOTA
8102	TOYOTA
8130	HOLDEN
8131	HOLDEN
8132	HOLDEN
8133	HOLDEN
8134	HOLDEN
8135	HOLDEN
8136	HOLDEN
8137	HOLDEN
8140	HOLDEN
8141	HOLDEN
8142	HOLDEN
8143	HOLDEN
8166	FORD
8169	FORD
8170	FORD
8171	NISSAN
8172	NISSAN

KIT NO.	MODEL
8173	NISSAN
TS2	TRAILER
TS4	TRAILER
TS5	TRAILER