

**AUDI**

<b>RADAU249</b>	<b>A4, A6 inc Quattro</b>	8/95-
A/T	2.4, 2.6&2.8ltr 8D/B5 & 4B/C5. & VW	
CLIP-ON FITTINGS	632x398x32	
OIL COOLER 300MM	32/32	

<b>RADAU220</b>	<b>A4/S4 Quattro</b>	96-01
A/T	1.8ltr&S4 2.7ltr V6 00-on. & VW	
CLIP-ON FITTINGS	632x398x32	
OIL COOLER 300MM	32/32	

<b>RADAU234</b>	<b>A4</b>	03-
A/T	1.8ltr	
OIL COOLER 300MM	632x408x26	32/32

<b>RADAU241</b>	<b>A3</b>	03-
A/T+M/T	1.6&2ltr 8P1 Petrol Eng. Also suits VW	
REMOTE OIL COOLER	648x408x26	32/32

<b>RADAU253</b>	<b>A3</b>	04-
A/T+M/T	2ltr Tdi. Also suits VW	
CLIP-ON FITTINGS	650x438x32	
REMOTE OIL COOLER	32/32	

<b>RADAU219</b>	<b>A3, Conv. &amp; Quattro</b>	11/06-
A/T+M/T	1.8ltr. Also suits VW	
CLIP-ON FITTINGS	650x446x32	
REMOTE OIL COOLER	33/33	

BMW

<b>RADB003</b>	<b>3 Series</b>	91-99	<b>RADB002</b>	<b>3 Series</b>	97-99
A/T	308 E30		A/T	E36	
1 SENDER PORT OUTLET TANK		550x438x34	1 SENDER PORT OUTLET TANK. WITH CAP		438x438x34
OIL COOLER 210MM		40/40	OIL COOLER 210MM		40/40
<b>RADB039</b>	<b>3 Series</b>	98-06	<b>RADB041</b>	<b>5 Series</b>	86-92
A/T	E46 - 316 & 318		A/T	E34	
TAPERED FITTINGS		582x445x32	1 SENDER PORT OUTLET TANK		610x438x34
REMOTE OIL COOLER		38/38	OIL COOLER 210MM		40/40
<b>RADB040</b>	<b>5 Series</b>	92-94	<b>RADB001</b>	<b>5 Series</b>	89-96
A/T	E34		A/T	E34	
1 SENDER PORT OUTLET TANK		650x438x40	1 SENDER PORT OUTLET TANK. WITH CAP		520x438x34
OIL COOLER 210MM		40/40	OIL COOLER 210MM		40/40

BMW

<b>RADB061</b>	<b>7 Series</b>	98-
A/T+M/T	E38 & E39	
REMOTE OIL COOLER	650x438x42	40/40

<b>RADB041</b>	<b>7 Series</b>	86-92
A/T	E32	
1 SENDER PORT OUTLET TANK	610x438x34	40/40
OIL COOLER 210MM		

<b>RADB040</b>	<b>7 Series</b>	92-94
A/T	E32	
1 SENDER PORT OUTLET TANK	650x438x40	40/40
OIL COOLER 210MM		

<b>RADB003</b>	<b>M3</b>	95-99
A/T	M3	
1 SENDER PORT OUTLET TANK	550x438x34	40/40
OIL COOLER 210MM		

<b>RADB250</b>	<b>X5</b>	01-
A/T+M/T	E53 Petrol	
REMOTE OIL COOLER	590x598x26	38/38

<b>RADB002</b>	<b>Z3</b>	95-01
A/T	Roadster	
1 SENDER PORT OUTLET TANK. WITH CAP	438x438x34	40/40
OIL COOLER 210MM		

**CHRYSLER**

<b>RADCH177</b>	<b>Neon</b>	95-
A/T	2.0ltr	
OIL COOLER 324MM		300x598x16 33/33

<b>RADCH093</b>	<b>PT Cruiser</b>	00-02
A/T	2.0ltr & Turbo	
OIL COOLER 325MM		460x515x26 33/34

<b>RADCH179</b>	<b>Voyager</b>	97-01
A/T	Voyager	
DUAL OIL COOLERS COOLERS 292 + 280MM		660x368x32 32/39

<b>RADCH178</b>	<b>Voyager</b>	97-01
A/T	Voyager	
OIL COOLER 305MM		655x378x34 32/38

**CITROEN**

<b>RADP078</b>	<b>Xsara</b>	01-
A/T	2.0ltr	
WITH OVERFLOW ADAPTOR		378x548x25
REMOTE OIL COOLER		32/32

DAEWOO

<b>RADDW043</b>	<b>Espero</b>	95-97	<b>RADDW202</b>	<b>Kalos</b>	05-
A/T	2.0ltr		A/T	Kalos	
1 SENDER PORT OUTLET TANK		635x383x26	OIL COOLER 254MM		600x418x16
OIL COOLER 245MM		35/35	OIL COOLER 254MM		34/34
<b>RADDW042</b>	<b>Lacetti</b>	9/03-	<b>RADDW196</b>	<b>Lanos</b>	97-01
A/T	Lacetti		A/T	Lanos	
OIL COOLER 292MM		374x698x16	OIL COOLER 254MM		654x383x16
		34/34	OIL COOLER 254MM		34/34
<b>RADDW204</b>	<b>Matiz</b>	99-	<b>RADDW113</b>	<b>Nubira</b>	10/99-3/01
A/T-M/T	Matiz		A/T	Nubira	
REMOTE OIL COOLER		458x294x16	OIL COOLER 254MM		655x385x16
		28/28	OIL COOLER 254MM		34/34

**DAIHATSU**

RADDA137	Charade	88-93	RADDA181	Charade	88-93
A/T	Charade		M/T	Charade	
OIL COOLER 225MM					
350x388x26 32/32			350x388x26 32/32		

**FORD**

<b>RADF094</b>	<b>Bronco</b>	84-87	<b>RADF211</b>	<b>Courier</b>	95-
A/T	Bronco 5.0 & 5.8ltr		A/T	PH V6 4ltr Petrol	
OIL COOLER 305MM			OIL COOLER 375MM		
700x460x56			450x636x32		
45/45			35/35		
<b>RADF106</b>	<b>Courier</b>	96-03	<b>RADF236</b>	<b>Econovan</b>	99-
M/T	PD 2.6ltr Petrol		M/T	JH Petrol. Also suits Mazda	
OIL COOLER 305MM			OIL COOLER 305MM		
450x636x26			350x538x26		
35/35			35/35		
<b>RADF149</b>	<b>Escape</b>	01-08	<b>RADF148</b>	<b>Escape</b>	01-08
A/T	2.3ltr 4Cyl		A/T	3.0ltr V6	
OIL COOLER 305MM			OIL COOLER 305MM		
700x458x26			700x458x26		
35/35			32/38		



**FORD**

<b>RADF130</b>	<b>Explorer</b>	96-4/01	<b>RADF114</b>	<b>Explorer</b>	5/01-05
A/T	4.0ltr V6		M/A	6Cyl & V8	
OIL COOLER 305MM		530x600x56	REMOTE OIL COOLER		540x598x32
		39/39			38/38
<b>RADF094</b>	<b>F100</b>	84-87	<b>RADF094</b>	<b>F150</b>	84-87
A/T	F100		A/T	F150	
OIL COOLER 305MM		700x460x56	OIL COOLER 305MM		700x460x56
		45/45			45/45
<b>RADF094</b>	<b>F250</b>	84-87	<b>RADF239</b>	<b>F250</b>	01-
A/T	5.0 & 5.8ltr		A/T	5.4ltr v8	
OIL COOLER 305MM		460x700x56	OIL COOLER 305MM		673x768x56
		45/45			44/44

**FORD**

<b>RADF080</b>	<b>Falcon</b>	88-94	<b>RADF079</b>	<b>Falcon</b>	94-98
A/T	EA-ED, F/lane NA-NC2 6Cyl		A/T	EF-EL 6Cyl	
STRAIGHT FILLER			RIGHT ANGLED FILLER		
OIL COOLER 225MM			OIL COOLER 225MM		
702x418x26			702x418x26		
38/45			38/38		
<b>RADF081</b>	<b>Falcon</b>	98-02	<b>RADF087</b>	<b>Falcon</b>	02-
A/T	AU1, 11, 111 6Cyl		A/T	BA-BF XR6, XR6 Turbo, V8	
OIL COOLER 305MM			OIL COOLER 250MM		
662x428x26			645x428x32		
35/38			35/38		
<b>RADF082</b>	<b>Falcon</b>	05-	<b>RADF138</b>	<b>Festiva</b>	91-94
A/T+M/T	BA-BF 6Cyl, V8		A/T	WA	
REMOTE OIL COOLER			OIL COOLER 200MM		
645x428x32			322x388x26		
35/38			28/28		

**FORD**

<b>RADF115</b>	<b>Festiva</b>	4/94-4/01	<b>RADF004</b>	<b>Focus</b>	00-04
A/T	WB-WF		A/T	Focus	
OIL COOLER 275MM			REMOTE OIL COOLER		
350x640x26			597x348x26		
29/31			33/33		
<b>RADF068</b>	<b>Focus</b>	06-	<b>RADF067</b>	<b>Laser</b>	85-91
A/T+M/T	Focus		A/T	KC some KE	
REMOTE OIL COOLER			SENDER PORT OUTLET TANK		
368x670x16			352x448x26		
34/34			OIL COOLER 225MM		
			35/35		
<b>RADF025</b>	<b>Laser</b>	90-94	<b>RADF024</b>	<b>Laser</b>	94-99
A/T	KF, KH 1.6 & 1.8ltr		A/T	KJ 1.6 & 1.8ltr	
SENDER PORT INLET TANK			LONG OIL COOLER PIPE RHS		
OIL COOLER 273MM			OIL COOLER 350MM		
392x628x26			330x688x26		
32/32			28/28		

**FORD**

<b>RADF044</b>	<b>Laser</b>	99-00	<b>RADF145</b>	<b>Probe</b>	89-92
A/T	KN, KQ 1.6 & 1.8ltr		A/T	2.2ltr	
SHORT OIL COOLER PIPE RHS		325x688x16	OIL COOLER 275MM		400x648x26
OIL COOLER 350MM		28/28			35/35
<b>RADF116</b>	<b>Taurus</b>	96-97	<b>RADF145</b>	<b>Telstar</b>	87-91
A/T	3.0ltr V6		A/T	AS, AT, AV	
OIL COOLER 254MM		720x360x26	OIL COOLER 275MM		400x648x26
		39/39			35/35
<b>RADF146</b>	<b>Telstar</b>	87-91	<b>RADF022</b>	<b>Telstar</b>	93-97
M/T	AS, AT, AV		A/T	AX 4Cyl	
		400x648x26	OIL COOLER 225MM		688x338x26
		35/35			36/36

FORD

<b>RADF023</b>	<b>Telstar</b>	92-98
A/T	AX V6	
		688x338x26
OIL COOLER 225MM		36/36

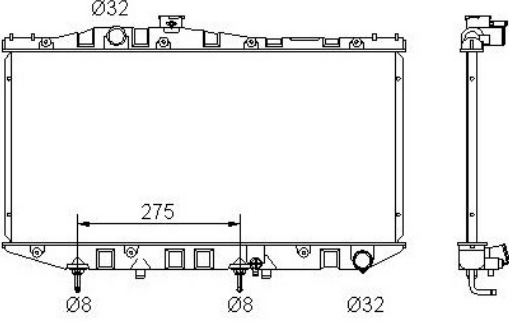
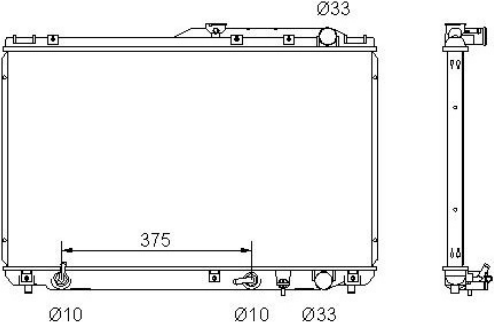
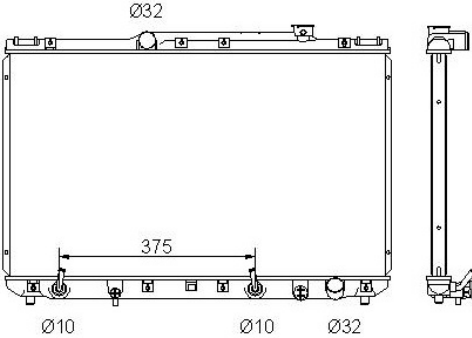
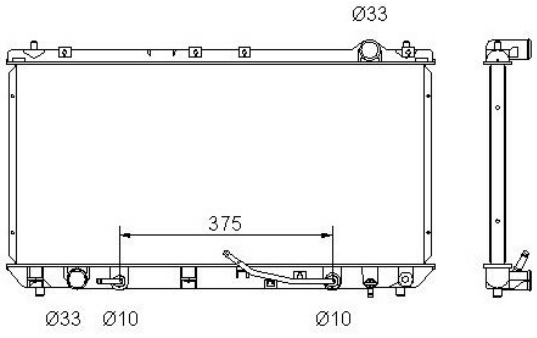
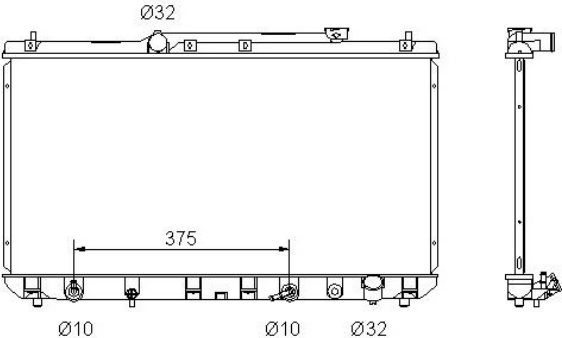
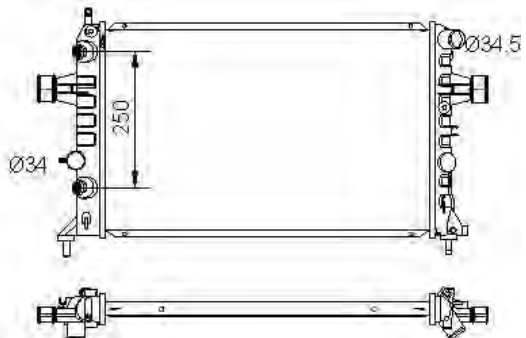
<b>RADF087</b>	<b>Territory</b>	05-
A/T	6Cyl & V8	
		645x428x32
OIL COOLER 250MM		35/38

<b>RADF082</b>	<b>Territory</b>	05-
M/T	6Cyl & V8	
		645x428x32
		35/38

<b>RADF059</b>	<b>Transit</b>	01-
M/T	2.4ltr Diesel	
		770x388x26
		33/33

<b>RADF058</b>	<b>Transit</b>	01-
M/T	2.4ltr Diesel	
		620x388x26
		33/33

**HOLDEN**

<b>RADH085</b>	<b>Apollo</b>	5/89-3/93	<b>RADH038</b>	<b>Apollo</b>	11/92-7/97
A/T	JK, JL 2.0ltr		A/T	JM, JP V6	
					
OIL COOLER 275MM		325x658x16	OIL COOLER 375MM		425x718x26
		32/32			33/33
<b>RADH032</b>	<b>Apollo</b>	11/92-7/97	<b>RADH073</b>	<b>Apollo</b>	8/97-9/02
A/T	JM, JP 2.2ltr		A/T	V6	
					
1 SENDER PORT OUTLET TANK		425x718x26	OIL COOLER 375MM		400x728x26
OIL COOLER 375MM		32/32			33/33
<b>RADH033</b>	<b>Apollo</b>	8/97-9/02	<b>RADH231</b>	<b>Astra</b>	95-
A/T	2.2ltr		A/T	TS 1.8, 2.2ltr	
					
1 SENDER PORT OUTLET TANK		400x728x26	OIL COOLER 250MM		600x368x26
OIL COOLER 375MM		32/32			34/34

**HOLDEN**

<b>RADH139</b>	<b>Astra</b>	96-02	<b>RADH213</b>	<b>Astra</b>	04-
A/T	TS 1.8, 2.0ltr & Convertible		A/T	AH	
OIL COOLER 250MM			OIL COOLER 255MM		
600x368x32			605x368x16		
34/34			35/35		
<b>RADH112</b>	<b>Barina</b>	88-94	<b>RADH010</b>	<b>Barina</b>	94-01
A/T	MF, MH		A/T	SB 1.4ltr	
OIL COOLER 200MM			2 SENDER PORTS INLET TANK OIL COOLER 220MM		
350x328x26			680x273x26		
28/28			34/34		
<b>RADH077</b>	<b>Barina</b>	01-	<b>RADH076</b>	<b>Barina</b>	01-
M/T	XC		M/T	XC	
538x358x26			538x358x26		
34/34			34/34		



**HOLDEN**

<b>RADH202</b>	<b>Barina</b>	06-	<b>RADH251</b>	<b>Colorado</b>	06-
A/T	TK 1.6ltr DOHC		A/T	RC TFS85 3ltr	
OIL COOLER 254MM		600x418x16 34/34	OIL COOLER 292MM		510x508x26 34/34
<b>RADH183</b>	<b>Commodore</b>	88-	<b>RADH011</b>	<b>Commodore</b>	91-
A/T	VN V6		A/T	VP, VR, VS V6	
OIL COOLER 275MM		545x416x26 36/40	SCREW ON FITTINGS FOR COOLER		545x416x26 40/35
<b>RADH012</b>	<b>Commodore</b>	91-	<b>RADH247</b>	<b>Commodore</b>	91-
A/T	VP, VR, VS V6		A/T	VT V6 Series I & VU Ute	
BARB FITTINGS FOR COOLER		545x416x26 40/35	DUAL OIL COOLERS		675x427x26 35/35
OIL COOLER 275MM			OIL COOLERS 275MM		



# HOLDEN

<b>RADH088</b>	<b>Commodore</b>	96-	<b>RADH075</b>	<b>Commodore</b>	96-
A/T	VT, VX V8 - 5.7ltr		A/T	VT, VX V6 Series II	
SINGLE OIL COOLER		675x427x32	SINGLE OIL COOLER		675x427x26
OIL COOLER 305MM		35/35	OIL COOLER 305MM		35/35
<b>RADH248</b>	<b>Commodore</b>	96-	<b>RADH074</b>	<b>Commodore</b>	96-
A/T	VX Series II		A/T	VT, VX V6	
DUAL OIL COOLERS. SADDLE FITTINGS		675x427x26	DUAL OIL COOLERS		675x427x26
OIL COOLERS 305MM		35/35	OIL COOLERS 305MM		35/35
<b>RADH047</b>	<b>Commodore</b>	96-	<b>RADH187</b>	<b>Commodore</b>	02-
A/T	VT, VU, VX V8 & 5.7ltr		A/T	VY V8 - 5.7ltr	
DUAL OIL COOLERS		675x427x32	OIL COOLER 292MM		678x427x32
OIL COOLERS 305MM		35/35			35/35

**HOLDEN**

<b>RADH013</b>	<b>Commodore / Statesman</b>	02-	<b>RADH164</b>	<b>Commodore</b>	04-
A/T	VY V6 / WH		A/T	VZ V8	
		678x427x26			675x427x32
OIL COOLER 292MM		35/35	OIL COOLER 292MM		35/35
<b>RADH163</b>	<b>Commodore</b>	04-	<b>RADH089</b>	<b>Commodore</b>	06-
A/T	VZ V6		A/T	VE V8	
		675x427x26			385x758x42
OIL COOLER 292MM		35/35	OIL COOLER 450MM		35/33
<b>RADH090</b>	<b>Commodore</b>	06-	<b>RADH007</b>	<b>Jackaroo</b>	92-97
A/T	VE V6		A/T	3.2ltr V6	
		385x758x26			500x618x26
OIL COOLER 450MM		35/33	OIL COOLER 365MM		38/38

**HOLDEN**

<b>RADH031</b>	<b>Nova</b>	94-99	<b>RADH008</b>	<b>Rodeo</b>	01-
A/T	LG 1.6, 1.8ltr		A/T	R9 3.2ltr V6	
OIL COOLER 225MM		350x638x16	1 SENDER HOLE INLET TANK		425x620x26
		32/32	OIL COOLER 365MM		38/38
<b>RADH159</b>	<b>Rodeo</b>	03-	<b>RADH182</b>	<b>Rodeo</b>	03-
A/T	RA 3ltr Diesel & 3.5ltr Petrol		M/T	RA 3ltr Diesel & 3.5ltr Petrol	
REVERSIBLE COOLER PIPE		473x588x26	REVERSIBLE COOLER PIPE		473x588x26
OIL COOLER 352MM		38/38	OIL COOLER 352MM		38/38
<b>RADH251</b>	<b>Rodeo</b>	06-	<b>RADH232</b>	<b>Vectra</b>	95-
A/T	RA TFR/S85 3ltr		A/T	JR, JS 2.5ltr V6	
OIL COOLER 292MM		510x508x26	PIPE FOR EXTERNAL WATER PUMP		609x368x26
		34/34	OIL COOLER 245MM		34/34

**HOLDEN**

<b>RADH046</b>	<b>Vectra</b>	<b>97-03</b>
<b>A/T</b>	<b>JR, JS 2.0ltr</b>	
2 SENDER HOLES INLET TANK		609x368x26
OIL COOLER 245MM		34/34

<b>RADH042</b>	<b>Viva</b>	<b>05-</b>
<b>A/T</b>	<b>JF 1.8ltr</b>	
OIL COOLER 292MM		374x698x16
		34/34

<b>RADH139</b>	<b>Zafira</b>	<b>98-05</b>
<b>A/T</b>	<b>2.0 &amp; 2.2ltr</b>	
OIL COOLER 250MM		600x368x32
		34/34

**HONDA**

<b>RADHN014</b>	<b>Accord</b>	90-93	<b>RADHN016</b>	<b>Accord</b>	93-97
A/T	Accord 2.2ltr		A/T	Accord 2.2ltr	
OIL COOLER 325MM		350x668x16	OIL COOLER 324MM		350x678x16
		32/32			32/32
<b>RADHN117</b>	<b>Accord</b>	98-00	<b>RADHN225</b>	<b>Accord</b>	04-
A/T	2.3ltr		A/T	Euro 2.4ltr	
OIL COOLER 324MM		375x680x26	TAPERED FITTINGS		400x718x16
		32/32	OIL COOLER 325MM		33/33
<b>RADHN050</b>	<b>Accord</b>	04-	<b>RADHN235</b>	<b>Accord</b>	08-
A/T	Euro		A/T	2.4ltr	
OIL COOLER 325MM		400x718x16	OIL COOLER 325MM		400x770x16
		32/32			32/32

**HONDA**

<b>RADHN131</b>	<b>Civic</b>	87-91	<b>RADHN015</b>	<b>Civic</b>	91-00
A/T	1.5ltr		A/T	Civic 1.5&1.6ltr. Suits Toyo & Denso	
OIL COOLER 323MM		325x670x16 28/28	WITH CAP OIL COOLER 200MM		350x348x26 28/28
<b>RADHN095</b>	<b>Civic</b>	01-05	<b>RADHN096</b>	<b>Civic</b>	01-05
A/T	Civic		M/T	Civic 1.7ltr	
OIL COOLER 326MM		350x658x16 28/28			350x658x16 28/28
<b>RADHN135</b>	<b>Civic</b>	06-	<b>RADHN134</b>	<b>Civic</b>	06-
A/T	1.8, 2.0ltr		M/T	1.8, 2.0ltr	
OIL COOLER 325MM		375x668x26 32/32			375x668x26 32/32

**HONDA**

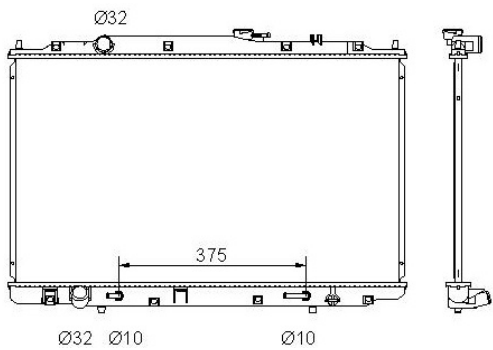
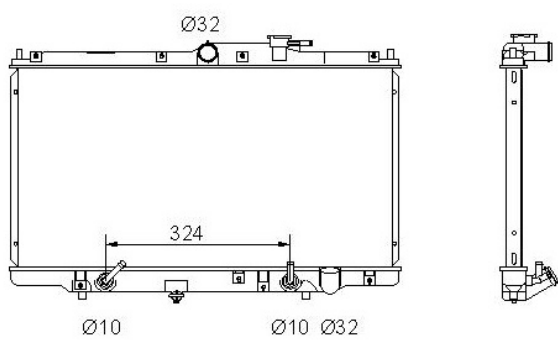
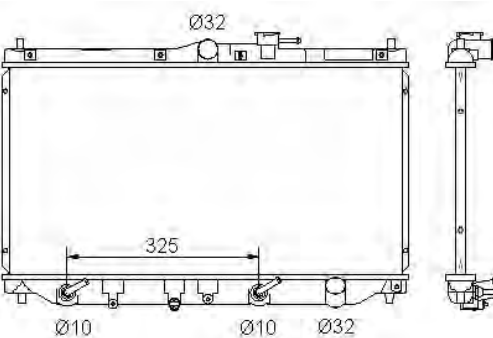
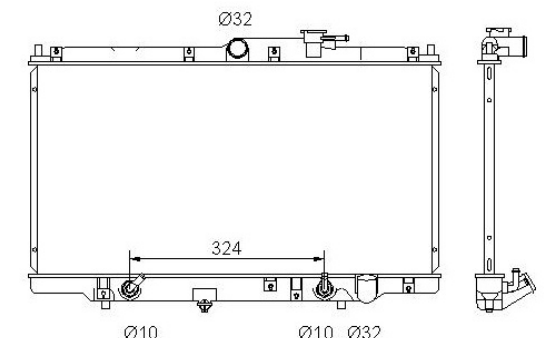
<b>RADHN017</b>	<b>CRV</b>	96-01	<b>RADHN018</b>	<b>CRV</b>	02-
A/T	CRV 2.0ltr		A/T	CRV	
OIL COOLER 325MM		349x668x16 33/33	1 SENDER PORT OUTLET TANK OIL COOLER 325MM		400x730x16 33/33
<b>RADHN063</b>	<b>CRV</b>	02-05	<b>RADHN168</b>	<b>CRV</b>	07-
M/T	CRV 2.4ltr		A/T	CRV	
1 SENDER PORT OUTLET TANK		400x730x16 33/33	1 SENDER PORT OUTLET TANK OIL COOLER 325MM		400x730x16 33/33
<b>RADHN131</b>	<b>CRX</b>	88-91	<b>RADHN049</b>	<b>Integra</b>	90-93
A/T	1.5ltr		A/T	Integra	
OIL COOLER 323MM		325x670x16 28/28	OIL COOLER 325MM		327x668x26 32/32

**HONDA**

<b>RADHN156</b>	<b>Integra</b>	93-99	<b>RADHN062</b>	<b>Integra</b>	01-03
A/T	Integra		A/T	Integra	
OIL COOLER 325MM		349x658x16 32/32	OIL COOLER 325MM		350x690x16 33/33
<b>RADHN097</b>	<b>Jazz</b>	02-	<b>RADHN019</b>	<b>Jazz</b>	02-
A/T	(SHORT)		A/T	(LONG)	
OIL COOLER 200MM		325x378x26 25+29/29	OIL COOLER 325MM		325x648x16 28+26/28
<b>RADHN132</b>	<b>Legend</b>	96-98	<b>RADHN051</b>	<b>Odyssey</b>	95-00
A/T	Legend. Denso type		A/T	2.2ltr	
1 SENDER PORT OIL COOLER 375MM		425x678x26 33/33	OIL COOLER 324MM		425x678x26 32/32



**HONDA**

<b>RADHN064</b>	<b>Odyssey</b>	00-	<b>RADHN048</b>	<b>Prelude</b>	91-94
A/T	Odyssey		A/T	Prelude	
					
OIL COOLER 375MM		450x770x16	OIL COOLER 324MM		350x678x26
		32/32			32/32
<b>RADHN014</b>	<b>Prelude</b>	92-96	<b>RADHN016</b>	<b>Prelude</b>	97-01
A/T	Prelude		A/T	Prelude 2.2ltr	
					
OIL COOLER 325MM		350x668x16	OIL COOLER 324MM		350x678x16
		32/32			32/32

**HYUNDAI**

<b>RADHY099</b>	<b>Accent</b>	00-	<b>RADHY100</b>	<b>Accent</b>	00-02
M/T	1.5ltr		A/T	1.5ltr DOHC	
		335x318x16			335x648x16
		33/33	OIL COOLER 360MM		33/33
<b>RADHY255</b>	<b>Accent</b>	06-	<b>RADHY140</b>	<b>Elantra</b>	00-
A/T	1.6ltr MC		A/T	Elantra	
		370x648x16			375x658x16
OIL COOLER 370MM		33/33	OIL COOLER 370MM		33/33
<b>RADHY052</b>	<b>Excel</b>	94-00	<b>RADHY053</b>	<b>Excel</b>	94-00
A/T	X3		M/T	X3	
		335x608x16			335x608x16
1 SENDER PORT OUTLET TANK		33/33	1 SENDER PORT OUTLET TANK		33/33
OIL COOLER 301MM					

**HYUNDAI**

<b>RADHY207</b>	<b>Getz</b>	02-	<b>RADHY141</b>	<b>Grandeur</b>	00-
A/T	1.5 & 1.6ltr		A/T	Grandeur	
OIL COOLER 360MM		372x488x26	OIL COOLER 381MM		400x718x16
		33/33			35/35
<b>RADHY227</b>	<b>I30</b>	07-	<b>RADHY226</b>	<b>I30</b>	07-
A/T	2.0ltr		M/T	2.0ltr	
OIL COOLER 355MM		600x458x16	OIL COOLER 355MM		600x458x16
		33/33			33/33
<b>RADHY215</b>	<b>Lantra</b>	95-	<b>RADHY054</b>	<b>Santa Fe</b>	00-
A/T	4 door		A/T	Santa Fe	
OIL COOLER 350MM		378x668x16	OIL COOLER 440MM		400x718x16
		32/32			35/35

**HYUNDAI**

<b>RADHY176</b>	<b>Santa Fe</b>	00-	<b>RADHY141</b>	<b>Sonata</b>	98-
M/T	Santa Fe		A/T	EF, EL	
		400x718x16			400x718x16
		35/35	OIL COOLER 381MM		35/35
<b>RADHY216</b>	<b>Sonata</b>	6/05-	<b>RADHY140</b>	<b>Tiburon</b>	02-
A/T	NF		A/T	V6	
		635x478x16			375x658x16
OIL COOLER 375MM		35/35	OIL COOLER 370MM		33/33
<b>RADHY098</b>	<b>Trajjet</b>	99-	<b>RADHY217</b>	<b>Tuscon</b>	05/06-
A/T	2.7ltr V6		A/T	2.0 & 2.7ltr	
		400x718x26			640x468x16
OIL COOLER 381MM		35/35	OIL COOLER 292MM		35/35

**JEEP**

<b>RADJE142</b>	<b>Cherokee</b>	87-90
A/T	Cherokee	
		782x268x32
OIL COOLER 191MM		32/38

<b>RADJE065</b>	<b>Cherokee</b>	91-00
A/T	XJ 4.0ltr	
		782x268x32
OIL COOLER 191MM		38/38

<b>RADJE143</b>	<b>Cherokee</b>	91-97
A/T	Cherokee	
		782x268x32
OIL COOLER 191MM		32/38

<b>RADJE144</b>	<b>Cherokee</b>	04-
A/T	3.7ltr V6	
		506x508x26
OIL COOLER 305MM		38/46

<b>RADJE101</b>	<b>Grand Cherokee</b>	93-97
A/T	4.0ltr	
		565x488x32
OIL COOLER 305MM		38/44

<b>RADJE102</b>	<b>Grand Cherokee</b>	94-98
A/T	4.0ltr	
		565x488x32
OIL COOLER 305MM		31/38

<b>RADJE020</b>	<b>Grand Cherokee</b>	99-
A/T	4.0ltr	
OIL COOLER 305MM		598x548x26 39/39

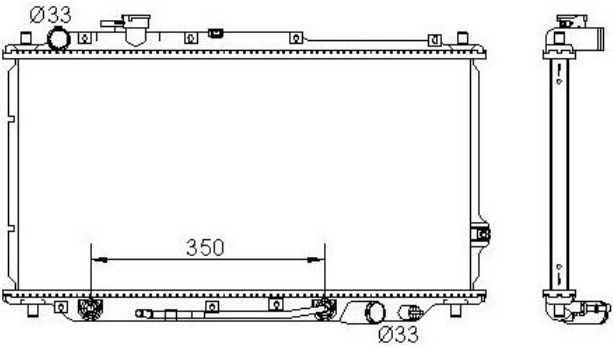
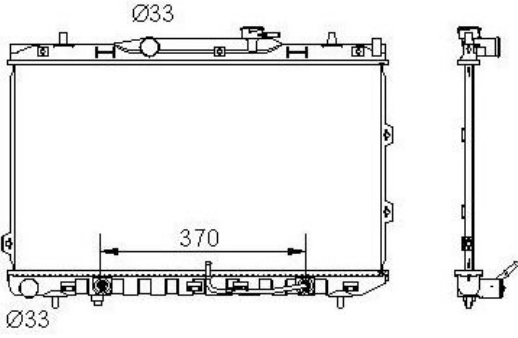
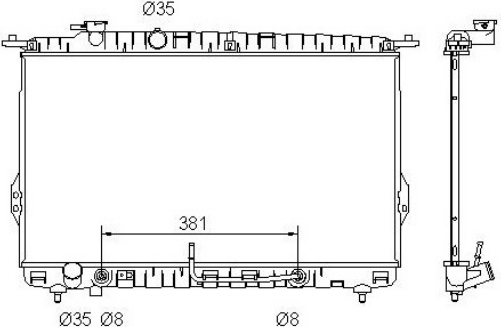
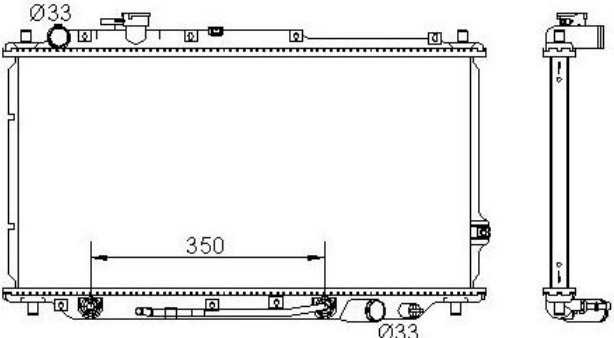
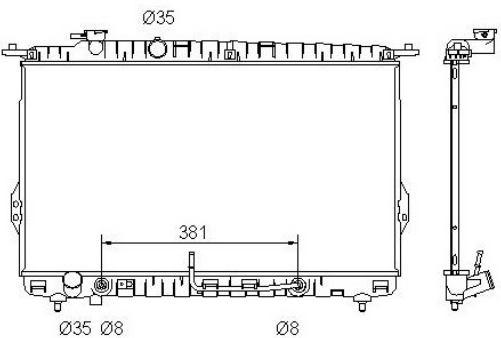
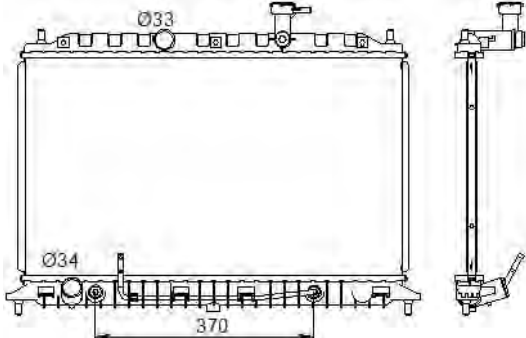
<b>RADJE021</b>	<b>Grand Cherokee</b>	99-
A/T	4.7ltr V8	
OIL COOLER 305MM		598x548x26 39/39

<b>RADJE142</b>	<b>Wagoneer</b>	87-90
A/T	Wagoneer	
OIL COOLER 191MM		782x268x32 32/38

<b>RADJE143</b>	<b>Wagoneer</b>	91-97
A/T	Wagoneer	
OIL COOLER 191MM		782x268x32 32/38

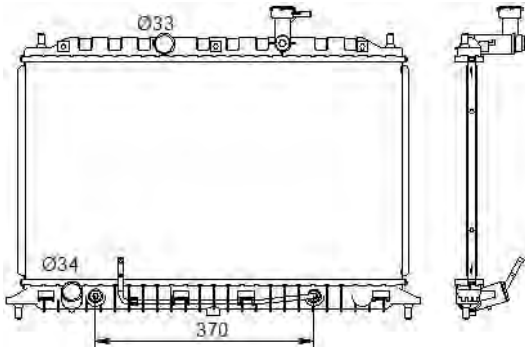
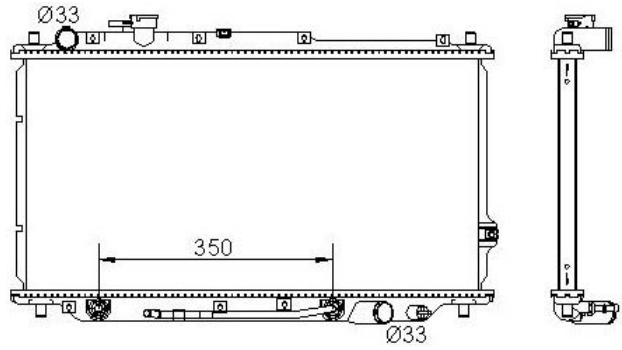
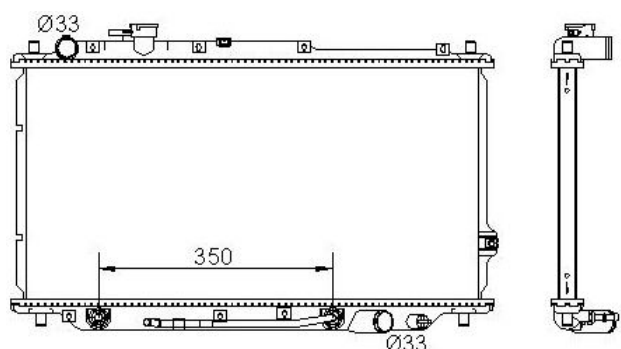
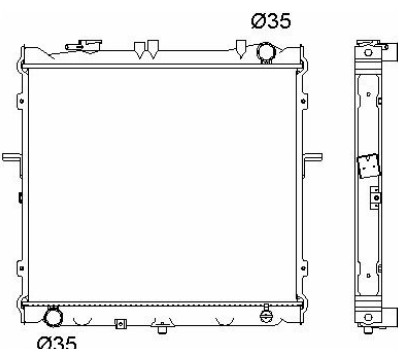
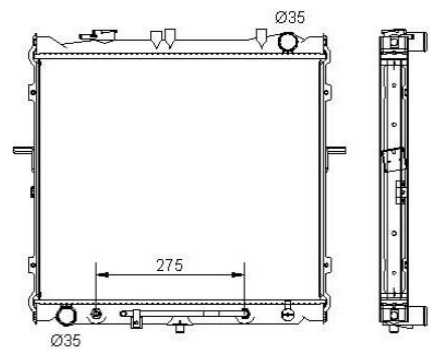
<b>RADJE103</b>	<b>Wrangler</b>	82-95
A/T	Wrangler	
OIL COOLER 305MM		460x488x32 32/38

KIA

<b>RADK256</b>	<b>Carens</b>	00-02	<b>RADK203</b>	<b>Cerato</b>	04-
A/T	1.8ltr		A/T	1.6 & 2.0ltr	
					
OIL COOLER 350MM		346x678x26 33/33	OIL COOLER 370MM		375x668x16 33/33
<b>RADK141</b>	<b>Magentis</b>	01-	<b>RADK256</b>	<b>Mentor</b>	98-
A/T	2.4, 2.7ltr		A/T	1.8ltr	
					
OIL COOLER 381MM		400x718x16 35/35	OIL COOLER 350MM		346x678x26 33/33
<b>RADK141</b>	<b>Optima</b>	01-	<b>RADK257</b>	<b>Rio</b>	03/05-
A/T	2.4, 2.7ltr		A/T	1.4ltr LX, S, Sport Eng. G4EE	
					
OIL COOLER 381MM		400x718x16 35/35	OIL COOLER 370MM		370x638x16 33/34



KIA

<b>RADK257</b>	<b>Rio</b>	03/05-
A/T	1.6ltr EX Eng. G4ED	
		
OIL COOLER 370MM		370x638x16 33/34
<b>RADK256</b>	<b>Shuma</b>	00-
A/T	1.8ltr	
		
OIL COOLER 350MM		346x678x26 33/33
<b>RADK256</b>	<b>Spectra</b>	01-
A/T	1.8ltr	
		
OIL COOLER 350MM		346x678x26 33/33
<b>RADK200</b>	<b>Sportage</b>	96-
M/T	2.0ltr	
		
		450x518x26 35/35
<b>RADK201</b>	<b>Sportage</b>	97-03
A/T	2.0ltr	
		
OIL COOLER 275MM		450x518x26 35/35



**LEXUS**

<b>RADLE073</b>	<b>ES300</b>	92-96	<b>RADLE091</b>	<b>LX470</b>	98-
A/T	MCV20 V6 3.0ltr		A/T	4.7ltr	
OIL COOLER 375MM			OIL COOLER 390MM		
425x718x26			510x694x48		
33/33			35/42		

**MAZDA**

<b>RADMZ218</b>	<b>121</b>	94-96	<b>RADMZ115</b>	<b>121</b>	4/94-4/01
A/T	121 Metro		A/T	1.3, 1.5ltr	
OIL COOLER 275MM			OIL COOLER 275MM		
350x378x26			350x640x26		
28/28			29/31		
<b>RADMZ067</b>	<b>323</b>	85-91	<b>RADMZ025</b>	<b>323</b>	90-94
A/T	1.6ltr		A/T	1.6, 1.8ltr	
1 SENDER PORT OUTLET TANK			1 SENDER PORT INLET TANK		
OIL COOLER 225MM			OIL COOLER 273MM		
352x448x26			392x628x26		
35/35			32/32		
<b>RADMZ024</b>	<b>323</b>	94-99	<b>RADMZ044</b>	<b>323</b>	97-00
A/T	Protégé 1.6, 1.8ltr		A/T	1.6, 1.8ltr	
LONG OIL COOLER PIPE RHS			SHORT OIL COOLER PIPE RHS		
OIL COOLER 350MM			OIL COOLER 350MM		
330x688x26			327x688x16		
28/28			28/28		

**MAZDA**

<b>RADMZ244</b>	<b>323 Astina</b>	3/91-10/94	<b>RADMZ214</b>	<b>323 Astina</b>	94-98
A/T	BG 1.6ltr		A/T	BA	
		350x628x26			670x348x26
OIL COOLER 273MM		32/32	OIL COOLER 225MM		31/31
<b>RADMZ145</b>	<b>626</b>	88-92	<b>RADMZ146</b>	<b>626</b>	88-91
A/T	2.2ltr		M/T	626	
		400x648x26			400x648x26
OIL COOLER 275MM		35/35			35/35
<b>RADMZ023</b>	<b>626</b>	93-97	<b>RADMZ022</b>	<b>626</b>	93-97
A/T	V6 - 2.5ltr		A/T	4Cyl - 2.0ltr	
		688x338x26			690x330x26
OIL COOLER 225MM		35/35	OIL COOLER 225MM		35/35

**MAZDA**

<b>RADMZ211</b>	<b>B Series</b>	95-06	<b>RADMZ106</b>	<b>B Series</b>	95-99
A/T	B2500		M/T	B2500. Denso type	
OIL COOLER 375MM		450x636x32 35/35			450x636x26 35/35
<b>RADMZ236</b>	<b>E 2000</b>	99-	<b>RADMZ238</b>	<b>Mazda 2</b>	03-
M/T	Petrol		A/T	1.4 & 1.6ltr	
		350x538x26 35/35	OIL COOLER 275MM		325x536x16 28/28
<b>RADMZ208</b>	<b>Mazda 2</b>	07-	<b>RADMZ068</b>	<b>Mazda 3</b>	04-
A/T	1.5ltr		A/T+M/T	Mazda 3	
OIL COOLER 275MM		349x548x16 28/28	REMOTE OIL COOLER		368x670x16 34/34

**MAZDA**

<b>RADMZ066</b>	<b>Mazda 6</b>	02-	<b>RADMZ209</b>	<b>Mazda 6</b>	02-
A/T	Mazda 6		A/T	Mazda 6	
OIL COOLER 350MM		378x738x26	8MM BY-PASS PIPE		378x738x26
		32/32	OIL COOLER 350MM		32/32
<b>RADMZ104</b>	<b>MPV</b>	89-95	<b>RADMZ105</b>	<b>MPV</b>	96-98
A/T	MPV		A/T	MPV	
OIL COOLER 350MM		430x647x26	1 SENDER PORT OUTLET TANK		503x647x26
		35/42	OIL COOLER 350MM		35/35
<b>RADMZ147</b>	<b>MPV</b>	99-02	<b>RADMZ145</b>	<b>MX6</b>	88-92
M/T	2.5, 3.0ltr V6		A/T	2.2ltr	
		468x690x26			400x648x26
		32/38	OIL COOLER 275MM		35/35

**MAZDA**

<b>RADMZ023</b>	<b>MX6</b>	92-98	<b>RADMZ022</b>	<b>MX6</b>	93-97
A/T	V6 - 2.5ltr		A/T	4Cyl - 2.0ltr	
		688x338x26			690x330x26
OIL COOLER 225MM		35/35	OIL COOLER 225MM		35/35
<b>RADMZ158</b>	<b>Premacy</b>	01-03	<b>RADMZ149</b>	<b>Tribute</b>	01-06
A/T	1.8ltr		A/T	2.3ltr 4Cyl	
		355x688x16			458x700x26
OIL COOLER 350MM		28/28	OIL COOLER 305MM		35/35
<b>RADMZ148</b>	<b>Tribute</b>	01-06			
A/T	3.0ltr V6				
		458x700x26			
OIL COOLER 305MM		32/38			

**MERCEDES BENZ**

<b>RADMB107</b>	<b>260E</b>	89-97
A/T	W124 2.6ltr	
		532x482x32
OIL COOLER 375MM		35/35

<b>RADMB107</b>	<b>300 Series</b>	86-88
A/T	W124 2.6 & 3.0ltr	
		532x482x32
OIL COOLER 375MM		35/35

<b>RADMB107</b>	<b>300CD</b>	88-93
A/T	3.0 & 3.2ltr	
		532x482x32
OIL COOLER 375MM		35/35

<b>RADMB108</b>	<b>380 Series</b>	80-91
A/T	W126 3.8ltr V8	
		426x668x42
OIL COOLER 330MM		38/38

<b>RADMB229</b>	<b>C-Class</b>	93-
A/T	W202	
		617x418x42
OIL COOLER 275MM		36/36

<b>RADMB108</b>	<b>C-Class</b>	98-00
A/T	W202 C220 4.2ltr V8	
		426x668x42
OIL COOLER 330MM		38/38

**MERCEDES BENZ**

<b>RADMB246</b>	<b>C-Class</b>	00-
A/T	W203/CL203/S203	
		650x398x26
OIL COOLER 313MM		49/49

<b>RADMB246</b>	<b>CLK</b>	02-
A/T	W209	
		650x398x26
OIL COOLER 313MM		49/49

<b>RADMB175</b>	<b>E-Class</b>	95-
A/T	E320 W210 2.2, 2.3 & 2.4ltr	
		641x488x32
OIL COOLER 315MM		38/38

<b>RADMB237</b>	<b>ML320</b>	97-
A/T	W163	
		610x548x32
DUAL OIL COOLERS		610x548x32
OIL COOLERS 200/305MM		36/36

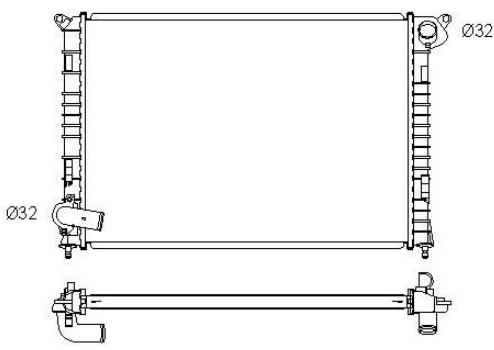
<b>RADMB245</b>	<b>Sprinter</b>	95-05/00
A/T	3T 310/312D 2.9ltr, 308D 2.3ltr	
		680x408x42
WITHOUT BY-PASS		680x408x42
OIL COOLER 275MM		42/42

<b>RADMB186</b>	<b>Sprinter</b>	06/00-2003
A/T	208/308/311/313/413/316/416/616	
		680x408x42
WITH BY-PASS		680x408x42
OIL COOLER 275MM		42/42

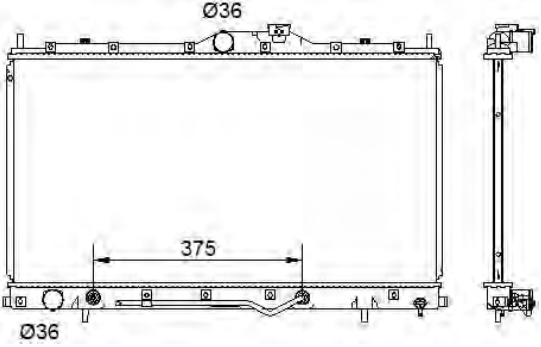
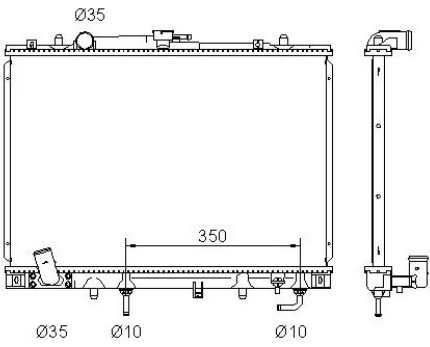
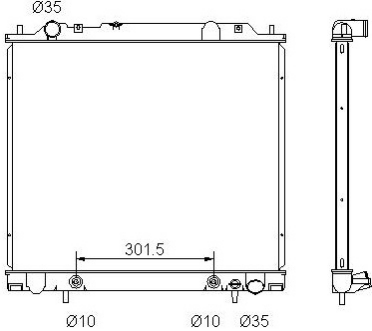
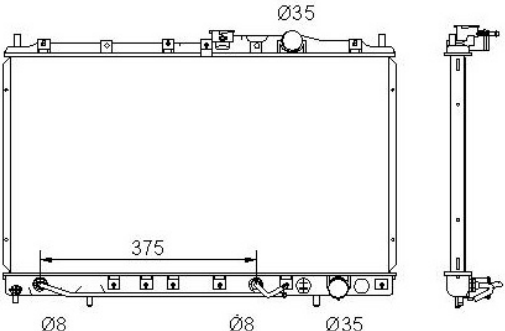
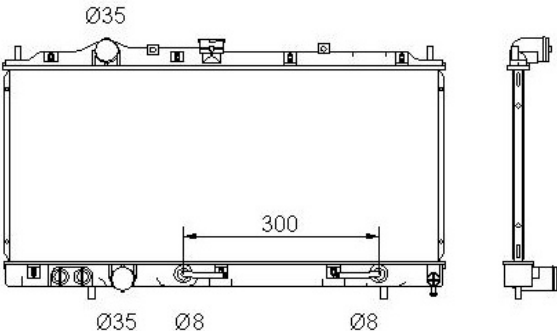
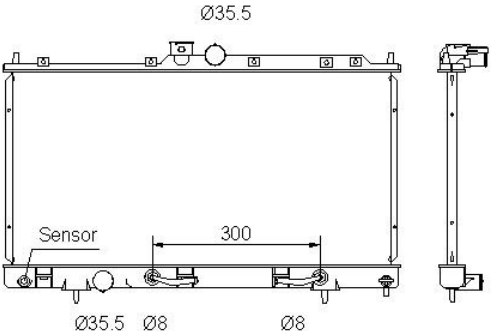


**MINI**

---

<b>RADB190</b>	<b>Cooper</b>	02-05
M/T	1.6i 16V	
		
		578x398x26
		32/32

**MITSUBISHI**

<b>RADM252</b>	<b>380</b>	10/05-	<b>RADM109</b>	<b>Challenger</b>	97-04
A/T	DB 3.9ltr V6 6G75		A/T	2.4 & 3ltr	
					
OIL COOLER 375MM		400x758x16	OIL COOLER 350MM		425x638x26
		36/36			35/35
<b>RADM119</b>	<b>Express &amp; Star Wagon</b>	94-00	<b>RADM071</b>	<b>Lancer</b>	91-96
A/T	2.0, 2.4ltr		A/T	CB, CC	
					
1 SENDER PORT OUTLET TANK		500x590x26	1 SENDER PORT OUTLET TANK		375x658x26
OIL COOLER 302MM		35/35	OIL COOLER 375MM		35/35
<b>RADM070</b>	<b>Lancer</b>	5/96-5/02	<b>RADM069</b>	<b>Lancer</b>	6/02-
A/T	CE/CJ		A/T	CG	
					
2 SENDER PORTS OUTLET TANK		375x658x16	1 SENDER PORT OUTLET TANK		375x691x16
OIL COOLER 300MM		35/35	OIL COOLER 300MM		36/36

**MITSUBISHI**

<b>RADM150</b>	<b>Lancer</b>	6/02-
M/T	CG	
		375x691x16
		36/36

<b>RADM205</b>	<b>Lancer</b>	08 -
M/T	CJ	
		698x408x26
		35/35

<b>RADM118</b>	<b>Magna</b>	8/91-4/96
A/T	TR, TS	
2 SENDER PORTS OUTLET TANK		400x720x26
OIL COOLER 375MM		35/35

<b>RADM189</b>	<b>Magna</b>	96-
A/T	TE, TF, TH, TL 3&3.5ltr	
OIL COOLER 375MM		400x720x26
		35/35

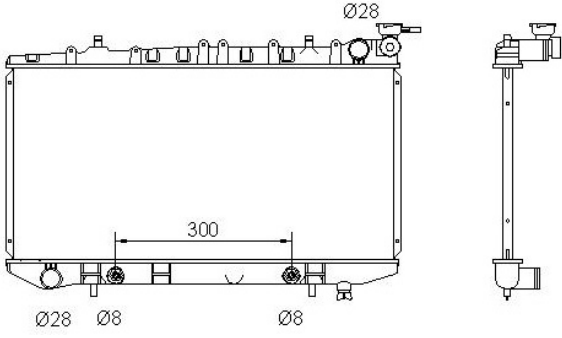
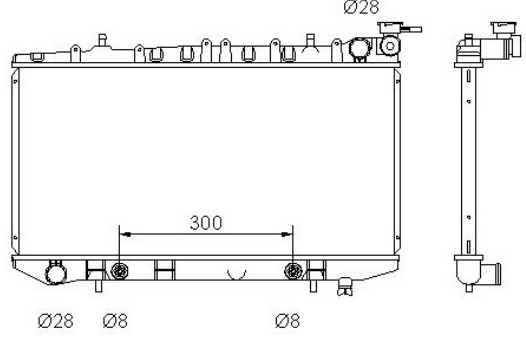
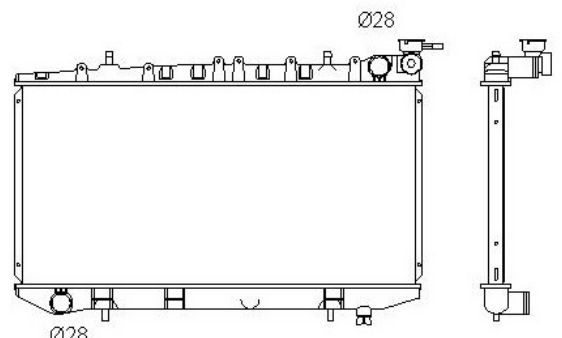
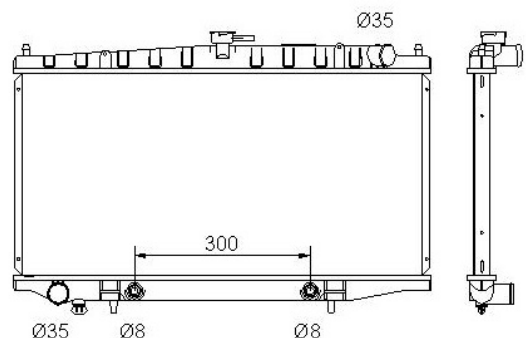
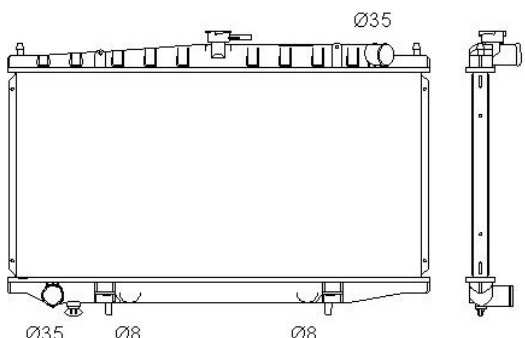
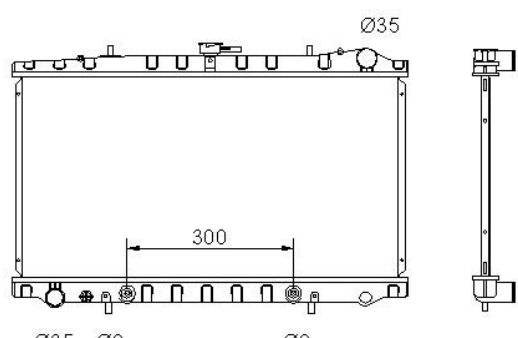
<b>RADM071</b>	<b>Mirage</b>	93-96
A/T	1.5 & 1.8ltr	
1 SENDER PORT OUTLET TANK		375x658x26
OIL COOLER 375MM		35/35

<b>RADM070</b>	<b>Mirage</b>	5/96-5/02
A/T	Mirage	
2 SENDER PORTS OUTLET TANK		375x658x16
OIL COOLER 300MM		35/35

**MITSUBISHI**

<b>RADM242</b>	<b>Outlander</b>	02/03-	<b>RADM205</b>	<b>Outlander</b>	08-
A/T	2.4ltr 4wd		M/T	2.0ltr	
OIL COOLER 300MM		425x688x26			698x408x26
		35/35			35/35
<b>RADM174</b>	<b>Triton</b>	95-	<b>RADM185</b>	<b>Triton</b>	06-
M/T	Diesel 2.5ltr		A/T	ML 3.2ltr Turbo Diesel	
		373x598x32			525x638x26
		34/34	OIL COOLER 350MM		35/35
<b>RADM161</b>	<b>Triton</b>	06-	<b>RADM189</b>	<b>Verada</b>	96-
A/T	ML Petrol & Diesel		A/T	KS, KF, KH, KJ, KL 3&3.5ltr	
CHOICE OF BOTTOM OUTLETS		525x638x16			400x720x26
OIL COOLER 350MM		35/35	OIL COOLER 375MM		35/35

**NISSAN**

<b>RADN026</b>	<b>200SX</b>	91-00	<b>RADN027</b>	<b>200SX</b>	91-00
A/T	200SX		A/T	200SX	
					
OIL COOLER 300MM		320x648x16 28/28	OIL COOLER 300MM		320x648x26 28/28
<b>RADN172</b>	<b>200SX</b>	91-00	<b>RADN151</b>	<b>Bluebird</b>	93-
M/T	200SX		A/T	2.4ltr	
					
		320x648x26 28/28	OIL COOLER 300MM		380x691x26 35/35
<b>RADN173</b>	<b>Bluebird</b>	93-97	<b>RADN120</b>	<b>Maxima</b>	88-94
M/T	2.4ltr		A/T	3.0ltr V6	
					
		380x691x26 35/35	1 SENDER PORT OUTLET TANK OIL COOLER 300MM		400x690x26 35/35

**NISSAN**

<b>RADN028</b>	<b>Maxima</b>	94-99	<b>RADN152</b>	<b>Maxima</b>	03-08
A/T	3.0ltr V6		A/T	J31	
		400x691x26			400x728x26
OIL COOLER 300MM		35/35	OIL COOLER 350MM		36/36
<b>RADN157</b>	<b>Micra</b>	95-98	<b>RADN167</b>	<b>Micra</b>	99-
A/T	1.3ltr		A/T	1.4ltr	
		375x358x26			380x448x16
OIL COOLER 200MM		28/28	OIL COOLER 300MM		28/28
<b>RADN184</b>	<b>Murano</b>	03-	<b>RADN153</b>	<b>Navara</b>	92-95
A/T	3.5ltr V6		A/T	V6	
		450x728x26			502x691x26
OIL COOLER 375MM		35/35	OIL COOLER 375MM		35/35

**NISSAN**

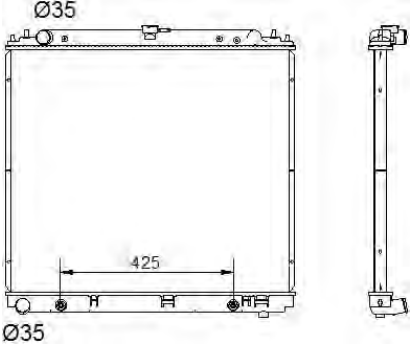
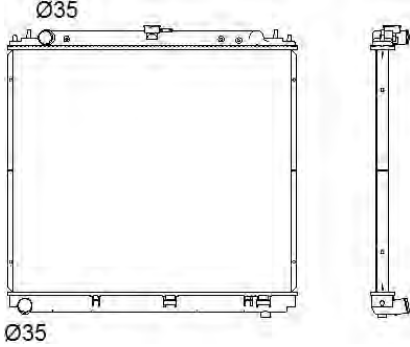
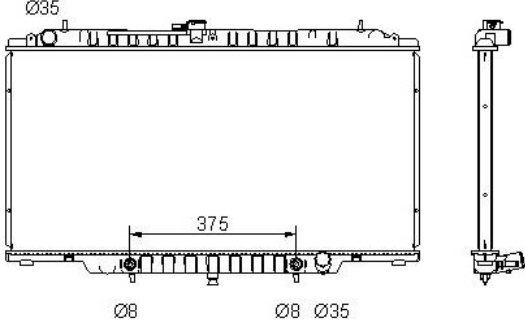
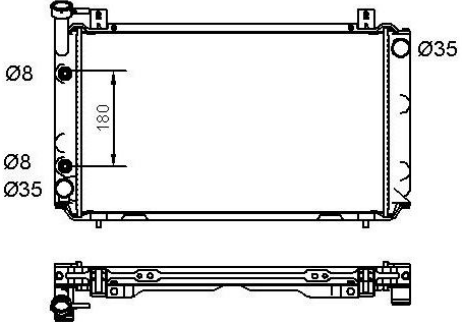
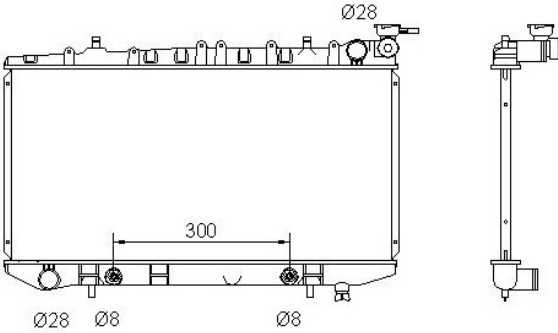
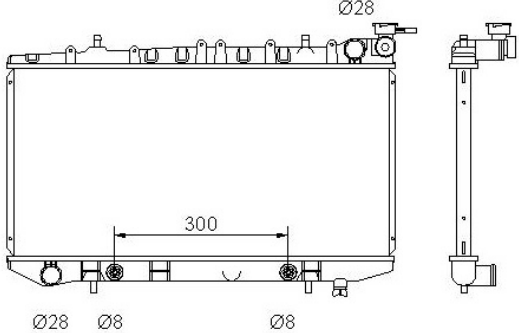
<b>RADN122</b>	<b>Navara</b>	96-	<b>RADN121</b>	<b>Navara</b>	96-
A/T	D21 2.4 & 3.0ltr		M/T	D21 2.4 & 3.0ltr	
OIL COOLER 300MM		430x645x26 35/35	OIL COOLER 300MM		430x645x26 35/35
<b>RADN170</b>	<b>Navara</b>	97-	<b>RADN258</b>	<b>Navara</b>	05-
A/T	D22 Turbo Diesel		A/T	D40 4ltr RX & ST-X Petrol	
OIL COOLER 375MM		450x691x26 35/35	OIL COOLER 425MM		600x688x32 35/35
<b>RADN259</b>	<b>Navara</b>	05-	<b>RADN260</b>	<b>Navara</b>	05/05-
M/T	D40 4ltr ST-X Petrol		A/T	D40 2.5ltr Diesel	
OIL COOLER 300MM		600x688x32 35/35	OIL COOLER 425MM		600x688x32 35/35

**NISSAN**

<b>RADN261</b>	<b>Navara</b>	05/05-	<b>RADN153</b>	<b>Pathfinder</b>	92-95
M/T	D40 2.5ltr Diesel		A/T	V6	
		600x688x32			502x691x26
		35/35	OIL COOLER 375MM		35/35
<b>RADN122</b>	<b>Pathfinder</b>	96-	<b>RADN121</b>	<b>Pathfinder</b>	96-
A/T	WD21 3.0ltr V6		M/T	WD21 3.0ltr V6	
		430x645x26			430x645x26
OIL COOLER 300MM		35/35			35/35
<b>RADN258</b>	<b>Pathfinder</b>	05-	<b>RADN259</b>	<b>Pathfinder</b>	05-
A/T	R51 4ltr ST, ST-L & Ti Petrol		M/T	R51 4ltr Petrol	
		600x688x32			600x688x32
OIL COOLER 425MM		35/35			35/35



**NISSAN**

<b>RADN260</b>	<b>Pathfinder</b>	05/05-	<b>RADN261</b>	<b>Pathfinder</b>	05/05-
A/T	R51 2.5ltr Turbo Diesel		M/T	R51 2.5ltr Turbo Diesel	
					
OIL COOLER 425MM		600x688x32 35/35	OIL COOLER 425MM		600x688x32 35/35
<b>RADN162</b>	<b>Patrol</b>	97-	<b>RADN206</b>	<b>Pulsar</b>	87-91
A/T	GU Y61 4.5ltr Petrol		A/T	N13	
					
OIL COOLER 375MM		450x908x32 35/35	OIL COOLER 180MM		587x348x32 35/35
<b>RADN026</b>	<b>Pulsar</b>	91-00	<b>RADN027</b>	<b>Pulsar</b>	91-00
A/T	N14, N15		A/T	N14, N15 & 200SX	
					
OIL COOLER 300MM		320x648x16 28/28	OIL COOLER 300MM		320x648x26 28/28

**NISSAN**

<b>RADN160</b>	<b>Pulsar</b>	91-00	<b>RADN172</b>	<b>Pulsar</b>	91-00
A/T	N14, N15 2.0ltr		M/T	N14, N15	
OIL COOLER 300MM		320x648x26 35/35	OIL COOLER 300MM		320x648x26 28/28
<b>RADN029</b>	<b>Pulsar</b>	5/00-05	<b>RADN136</b>	<b>Pulsar</b>	5/00-05
A/T	N16		M/T	N16	
OIL COOLER 300MM		360x691x26 28/28	OIL COOLER 300MM		360x688x16 28/28

PEUGEOT

RADP180		206	98-	RADP078		307	01-
A/T+ M/T		1.6ltr		A/T+ M/T		2.0ltr	
1 SENDER PORT INLET TANK		378x548x26		WITH OVERFLOW ADAPTOR		378x548x26	
REMOTE OIL COOLER		32/32		REMOTE OIL COOLER		32/32	

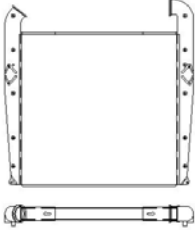
PROTON

---

<b>RADPR071</b>	<b>Satria</b>	97-
A/T	GL	
		375x658x26
OIL COOLER 375MM	35/35	

**SCANIA**

---

<b>INTSC001</b>	<b>Inter Cooler</b>	
		
		825x792x62
		79/94

**SUBARU**

<b>RADSU222</b>	<b>Forester</b>	98-02	<b>RADSU223</b>	<b>Forester</b>	99-02
M/T	2.5ltr		A/T	2.5ltr	
		340x688x16			340x688x16
		38/38	OIL COOLER 375MM		38/38
<b>RADSU224</b>	<b>Forester</b>	03-	<b>RADSU223</b>	<b>Impreza</b>	99-01
A/T	2.5ltr		A/T	2.2&2.5ltr	
		360x688x26			340x688x16
OIL COOLER 375MM		38/38	OIL COOLER 375MM		38/38
<b>RADSU060</b>	<b>Impreza/WRX</b>	02-03	<b>RADSU110</b>	<b>Impreza/WRX</b>	04-07
A/T	2.0 & 2.5ltr		A/T	2.0ltr	
		340x690x26			340x688x26
OIL COOLER 375MM		40/40	OIL COOLER 375MM		40/40

**SUBARU**

<b>RADSU111</b>	<b>Impreza/WRX</b>	04-07	<b>RADSU263</b>	<b>Liberty</b>	89-94
M/T	2.0ltr		A/T	2.0ltr RS Turbo BC & BF	
		340x688x26	16MM BREATHER		672x394x26
		40/40	OIL COOLER 200MM		38/38
<b>RADSU057</b>	<b>Liberty</b>	89-94	<b>RADSU221</b>	<b>Liberty</b>	96-99
A/T	2.2ltr		A/T	2.5ltr	
		670x360x16			672x394x26
OIL COOLER 150MM		38/38	OIL COOLER 200MM		38/38
<b>RADSU243</b>	<b>Liberty</b>	00-05	<b>RADSU198</b>	<b>Liberty</b>	05-07
A/T	3.0ltr H6, Outback Wagon		A/T	2.5ltr & Turbo, Outback Wagon	
		349x698x26			340x688x16
OIL COOLER 375MM		29+29/38	OIL COOLER 375MM		40/40

**SUZUKI**

<b>RADSZ193</b>	<b>Baleno</b>	95-02
A/T	1.6 & 1.8ltr	
OIL COOLER 300MM		349x518x16 28/28

<b>RADSZ195</b>	<b>Baleno</b>	95-02
M/T	1.6 & 1.8ltr	
OIL COOLER 300MM		349x518x16 28/28

<b>RADSZ194</b>	<b>Liana</b>	02-07
A/T	1.8ltr	
OIL COOLER 300MM		350x718x26 34/34

<b>RADSZ112</b>	<b>Swift</b>	88-94
A/T	1.0 & 1.3ltr	
OIL COOLER 200MM		350x328x26 28/28

<b>RADSZ230</b>	<b>Swift</b>	05-
A/T	RS415 1.5ltr 2005-on	
OIL COOLER 300MM		375x548x26 34/34



**TOYOTA**

<b>RADT030</b>	<b>4Runner</b>	5/96-02	<b>RADT127</b>	<b>4Runner</b>	5/96-02
A/T	Petrol V6		M/T	Petrol V6	
OIL COOLER 375MM			OIL COOLER 375MM		
34/34			33/33		
<b>RADT240</b>	<b>Aurion</b>	06-	<b>RADT085</b>	<b>Camry</b>	5/89-3/93
A/T	GSV40R V6 3.5ltr 2GR-FE		A/T	SV20, 21, 22 2.0ltr	
OIL COOLER 375MM			OIL COOLER 275MM		
400x768x26			325x658x16		
34/34			32/32		
<b>RADT038</b>	<b>Camry</b>	11/92-7/97	<b>RADT032</b>	<b>Camry</b>	11/92-7/97
A/T	VCV, VDV10 V6 3.0ltr		A/T	SDV10 2.2ltr	
OIL COOLER 375MM			1 SENDER PORT OUTLET TANK OIL COOLER 375MM		
425x718x26			425x718x26		
33/33			32/32		

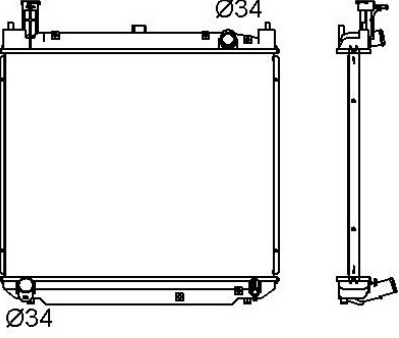
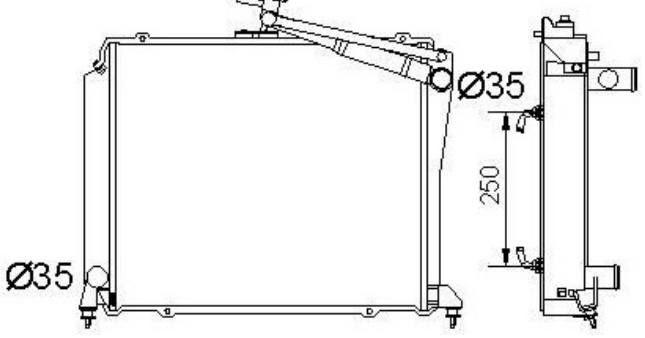
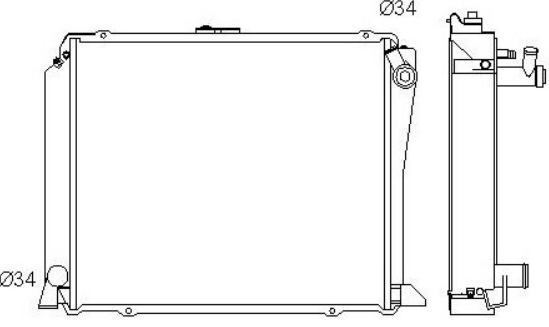
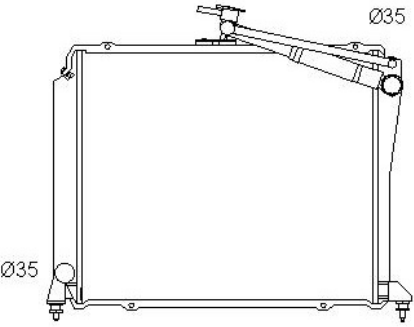
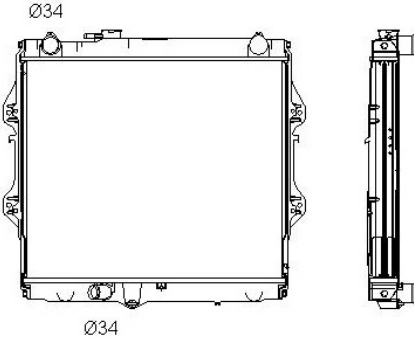

TOYOTA

<b>RADT033</b>	<b>Camry</b>	97-02	<b>RADT073</b>	<b>Camry</b>	8/97-9/02
A/T	SVX20 2.2ltr		A/T	MCV20, 21 V6 3.0ltr	
1 SENDER PORT OUTLET TANK		400x728x26	OIL COOLER 375MM		400x728x26
OIL COOLER 375MM		32/32	OIL COOLER 375MM		33/33
<b>RADT191</b>	<b>Camry</b>	02-	<b>RADT086</b>	<b>Camry</b>	06-
A/T	ACV36R 2.4ltr 4 Cyl		A/T	Camry	
OIL COOLER 375MM		400x728x26	OIL COOLER 375MM		400x728x26
OIL COOLER 375MM		34/34	OIL COOLER 375MM		34/34
<b>RADT083</b>	<b>Corolla</b>	5/89-5/94	<b>RADT031</b>	<b>Corolla</b>	94-99
A/T	AE90, AE92 1.6ltr		A/T	AE101, 102 1.6, 1.8ltr	
2 SENDER PORTS OUTLET TANK		328x668x26	OIL COOLER 225MM		350x638x16
OIL COOLER 225MM		32/32	OIL COOLER 225MM		32/32

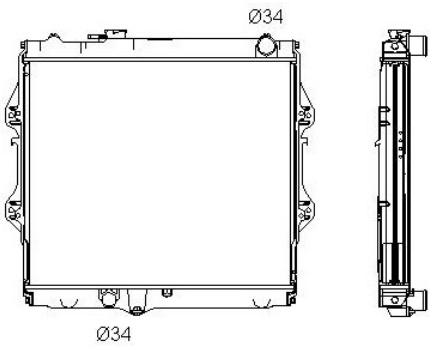
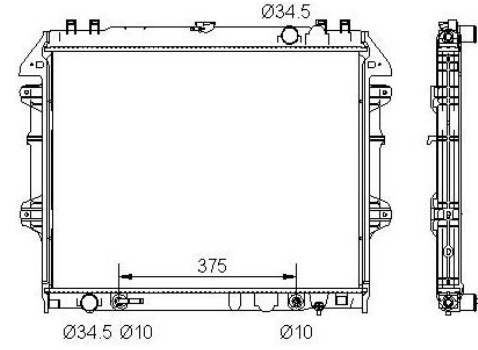
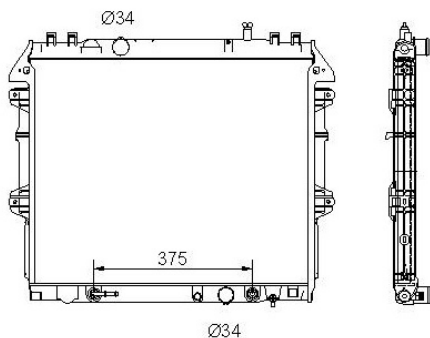
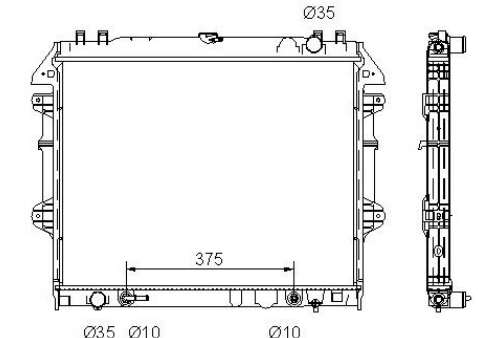
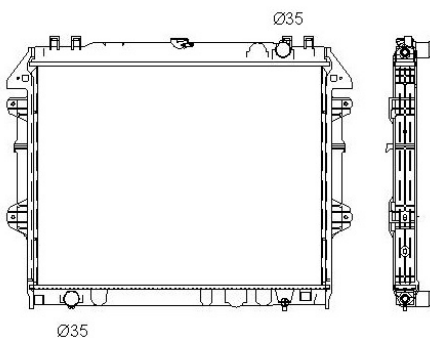
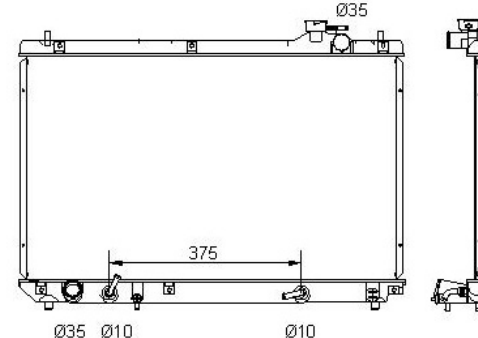
**TOYOTA**

<b>RADT084</b>	<b>Corolla</b>	8/98-9/01	<b>RADT036</b>	<b>Corolla</b>	10/01-
A/T	AE112 1.8ltr		A/T	ZZE122R 1.8ltr	
OIL COOLER 225MM		349x698x26	OIL COOLER 200MM		600x348x16
		32/32			34/34
<b>RADT171</b>	<b>Corolla</b>	10/01-	<b>RADT169</b>	<b>Corolla</b>	07-
M/T	ZZE122R 1.8ltr		A/T	ZRE152R 1.8ltr	
		600x348x16	OIL COOLER 250MM		600x378x16
		34/34			34/34
<b>RADT034</b>	<b>Echo</b>	3/99-07	<b>RADT155</b>	<b>Echo</b>	3/99-07
A/T	1.3, 1.5ltr		M/T	1.3, 1.5ltr	
1 SENDER PORT OUTLET TANK		350x478x16			350x478x16
OIL COOLER 225MM		32/32			32/32

TOYOTA

<b>RADT197</b>	<b>Hiace</b>	97-	<b>RADT188</b>	<b>Hiace</b>	99-
A/T	2.0, 2.4ltr		A/T	Petrol 2.4ltr	
		528x628x26			398x500x34
OIL COOLER 390MM		35/35	OIL COOLER 250MM		35/35
<b>RADT055</b>	<b>Hiace</b>	99-	<b>RADT037</b>	<b>Hiace</b>	99-
M/T	Diesel		M/T	Petrol	
		500x395x42			398x500x34
		34/34			35/35
<b>RADT124</b>	<b>Hilux</b>	97-	<b>RADT254</b>	<b>Hilux</b>	99-
M/T	LN147 3.0ltr Diesel		M/T	KZN165R 3ltr Turbo Diesel 4x4	
		450x525x36	 <p><b>NO IMAGE AVAILABLE</b></p>		550x528x36
		34/34			38/38

TOYOTA

<b>RADT123</b>	<b>Hilux</b>	01-05	<b>RADT212</b>	<b>Hilux</b>	05-
M/T	RZN149R 2.7ltr Petrol		A/T	TGN Series	
		450x525x36			525x648x26
		34/34	OIL COOLER 275MM		35/35
<b>RADT133</b>	<b>Hilux</b>	05-	<b>RADT128</b>	<b>Hilux</b>	05-
A/T	KUN Series		A/T	GGN Series 4.0ltr	
		525x650x32			500x650x26
OIL COOLER 375MM		34/34	OIL COOLER 375MM		35/35
<b>RADT129</b>	<b>Hilux</b>	05-	<b>RADT192</b>	<b>Kluger</b>	04-
M/T	TGN Series		A/T	V6	
		500x650x26			450x728x26
		35/35	OIL COOLER 375MM		35/35

TOYOTA

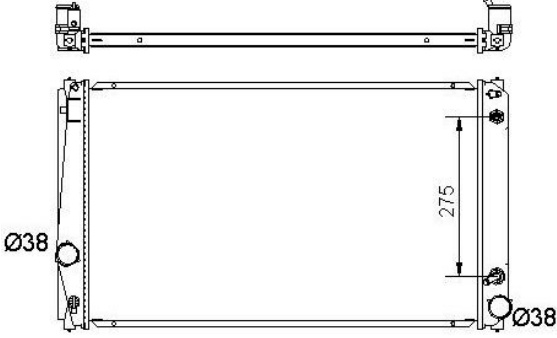
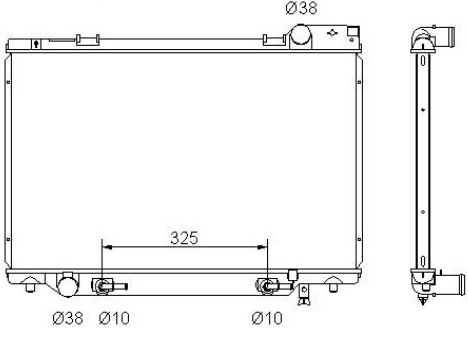
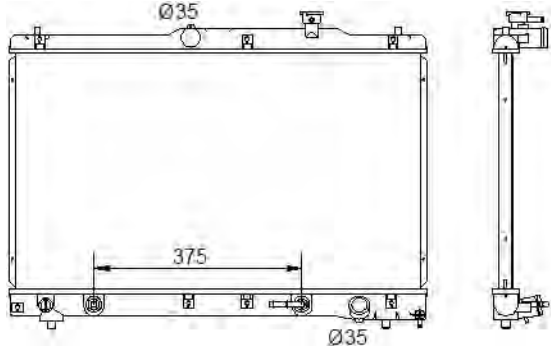
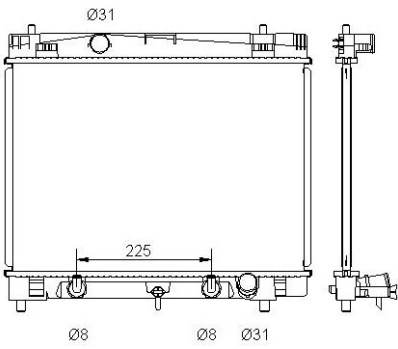
<b>RADT233</b>	<b>Landcruiser</b>	90-98	<b>RADT092</b>	<b>Landcruiser</b>	92-98
A/T	HZJ80 Diesel		A/T	FZJ80 4.5ltr Petrol Eng 1FZ-FE	
		425x708x48			425x708x48
OIL COOLER 390MM		38/38	OIL COOLER 390MM		38/42
<b>RADT091</b>	<b>Landcruiser</b>	98-	<b>RADT030</b>	<b>Landcruiser Prado</b>	5/96-
A/T	100 Series V8 Petrol		A/T	VZJ95 V6 Petrol	
		510x694x48			575x638x26
OIL COOLER 390MM		35/42	OIL COOLER 375MM		34/34
<b>RADT127</b>	<b>Landcruiser Prado</b>	5/96-	<b>RADT165</b>	<b>Landcruiser Prado</b>	02-
M/T	VZJ95 V6 Petrol		A/T	KZJ120R Turbo Diesel	
		575x638x26			588x650x32
		33/33	OIL COOLER 250MM		39/39

**TOYOTA**

<b>RADT166</b>	<b>Landcruiser Prado</b>	02-	<b>RADT072</b>	<b>Rav 4</b>	3/94-4/00
A/T	GRJ120R V6		A/T	Rav 4	
OIL COOLER 250MM		598x650x26 35/35	1 SENDER PORT OUTLET TANK OIL COOLER 400MM		350x698x26 32/32
<b>RADT126</b>	<b>Rav 4</b>	94-00	<b>RADT125</b>	<b>Rav 4</b>	3/94-4/00
A/T	Rav 4		M/T	Rav 4	
1 SENDER PORT OUTLET TANK OIL COOLER 400MM		350x698x26 32/32	1 SENDER PORT OUTLET TANK		350x698x26 32/32
<b>RADT056</b>	<b>Rav 4</b>	94-00	<b>RADT035</b>	<b>Rav 4</b>	01-05
M/T	Rav 4		A/T	ACA21R	
1 SENDER PORT OUTLET TANK		350x698x26 32/32	1 SENDER PORT OUTLET TANK OIL COOLER 390MM		375x738x26 34/34



TOYOTA

<b>RADT228</b>	<b>Rav 4</b>	11/05	<b>RADT154</b>	<b>Tarago</b>	90-00
A/T	2.4ltr VVTi		A/T	TCR10,11,12	
					
OIL COOLER 275MM		670x398x22 38/38	OIL COOLER 325MM		425x668x26 38/38
<b>RADT264</b>	<b>Tarago</b>	00-06	<b>RADT199</b>	<b>Yaris</b>	05-
A/T	ACR30 2.4ltr		A/T	1.3, 1.5ltr	
					
OIL COOLER 375MM		450x728x26 35/35	OIL COOLER 225MM		350x478x16 31/31



**VOLKSWAGEN**

<b>RADVW210</b>	<b>Bora</b>	98-
A/T+M/T	1.6, 1.8ltr	
	647x408x26	
	32/32	

<b>RADVW253</b>	<b>EOS</b>	06-
A/T+M/T	2ltr TFSI. Also suits Audi	
	CLIP-ON FITTINGS	650x438x32
	REMOTE OIL COOLER	32/32

<b>RADVW210</b>	<b>Golf</b>	98-
A/T+M/T	1.6, 1.8ltr	
	647x408x26	
REMOTE OIL COOLER	32/32	

<b>RADVW241</b>	<b>Golf V</b>	04-08
A/T+M/T	1.6ltr 16V 1K1 Engine	
	648x408x26	
REMOTE OIL COOLER	32/32	

<b>RADVW253</b>	<b>Golf</b>	04-
A/T+M/T	2ltr Tdi. Also suits Audi	
	650x438x32	
REMOTE OIL COOLER	32/32	

<b>RADVW253</b>	<b>Jetta</b>	06-
A/T+M/T	2ltr Petrol. Also suits Audi	
	650x438x32	
REMOTE OIL COOLER	32/32	

**VOLKSWAGEN**

<b>RADVW249</b>	<b>Passat</b>	10/96-
A/T	2.8L V6 (3B2). Also suits Audi	
CLIP-ON FITTINGS	632x398x32	
OIL COOLER 300MM	32/32	

<b>RADVW220</b>	<b>Passat</b>	98-
A/T	1.8 & 1.9ltr	
CLIP-ON FITTINGS	632x398x32	
	32/32	

<b>RADVW249</b>	<b>Passat</b>	11/00-
A/T	2.5Tdi (3B3). Also suits Audi	
CLIP-ON FITTINGS	632x398x32	
OIL COOLER 300MM	32/32	

<b>RADVW253</b>	<b>Passat</b>	06-
A/T+M/T	2ltr Ptrl & Tdi (3C). Also suits Audi	
REMOTE OIL COOLER	650x438x32	
	32/32	

<b>RADVW219</b>	<b>Passat</b>	05/07-
A/T+M/T	1.8ltr. Also suits Audi	
CLIP-ON FITTINGS	650x446x32	
REMOTE OIL COOLER	33/33	

<b>RADVW262</b>	<b>Polo</b>	10/01-
M/T	9N -1.4, 1.6ltr Ptrl, 1.9ltr Tdi	
	631x408x22	
	32.5/32.5	